

SOLID·DIGITAL®

» PERFECTPRO



INSTRUCTION MANUAL **GB**
MANUEL DE L'UTILISATEUR **F**
GEBRUIKSAANWIJZING **NL**
BEDIENUNGSANLEITUNG **D**

CONTENTS

IMPORTANT SAFETY INSTRUCTIONS	2
CONTROLS	3
POWER SUPPLY	5
USING THE RADIO FOR THE FIRST TIME	5
DAB RADIO MODE	5
FM RADIO MODE	8
PRESET STATIONS	9
AUX-IN MODE	10
LOUDNESS	10
tone (BASS/TREBLE SETTINGS)	11
TIME AND DATE SETTINGS	11
RADIO TIME SYNCHRONISATION	11
ALARM SETTINGS	11
LANGUAGES	12
SOFTWARE VERSION	12
SYSTEM RESET	13
INFORMATION ON THE ANTENNAS	13
BACKLIGHT	14
WARRANTY	14
SPECIFICATIONS	14

WARNING ! WARRANTY BECOMES VOID ONCE THE RADIO CABINET HAS BEEN OPENED OR ANY MODIFICATIONS OR ALTERATIONS TO THE ORIGINAL RADIO HAVE BEEN MADE



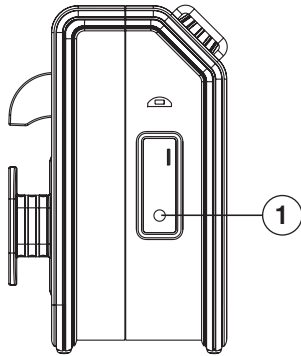
IMPORTANT SAFETY INSTRUCTIONS

1. Read these instructions.
2. Keep these instructions.
3. Heed all warnings.
4. Follow all instructions.
5. Clean only with dry cloth.
6. Do not block any ventilation openings. Install in accordance with the instructions.
7. Do not install near any heat sources such as radiators, heat registers, stoves or other apparatus (including amplifiers) that produce heat.
8. Do not defect the safety purpose of the polarized or grounding – type plug. A polarized plug has two blades with one wider than the other. A grounding type plug has two blades and a third grounding prong. The wide blade or the third prong is provided for your safety. If the provided plug does not fit into your outlet, consult an electrician for replacement of the obsolete outlet.
9. Protect the power cord from being walked on or pinched particularly at plug, convenience receptacles, and the point where they exit from the apparatus.
10. Only use attachments/accessories specified by the manufacturer.
11. Use only with the cart, stand, tripod, bracket, or table specified by the manufacturer, or sold with the apparatus. When a cart is used, use caution when moving the cart/apparatus combination to avoid injury from tip-over.
12. Unplug this apparatus during lightning storms or when unused for long periods of time.
13. Refer all servicing to qualified service personnel. Servicing is required the apparatus has been damaged in any , such as power-supply cord or plug is damaged, liquid has been spilled or objects have fallen into the apparatus, the apparatus has been exposed to rain or moisture, does not operate normally, or has been dropped.
14. To reduce the risk of fire or electric shock, do not expose this appliance to rain or moisture.
15. Do not remove the cover; there are no user-serviceable parts inside.
16. No naked flame sources shall be placed on the apparatus.
17. For outdoors use, to avoid electric shock, use battery only during a raining day or the weather is wet. To prevent electric shock, if the radio has been exposed to rain or water, the power supply cord and plug must be completely dried before plugging into the mains socket outlet.
18. The power plug should be close to the apparatus, and easy to be approached that during emergency, to disconnect the power from the apparatus, just unplug the power plug from the AC power slot.
19. The marking information is located at the bottom of the apparatus.
20. This apparatus is provided with protection against splashing water (IP65).
21. In case of malfunction due to electrostatic discharge or fast transient (burst), remove and reconnect the power supply.
22. To prevent possible hearing damage, do not listen at high volume levels for long periods.



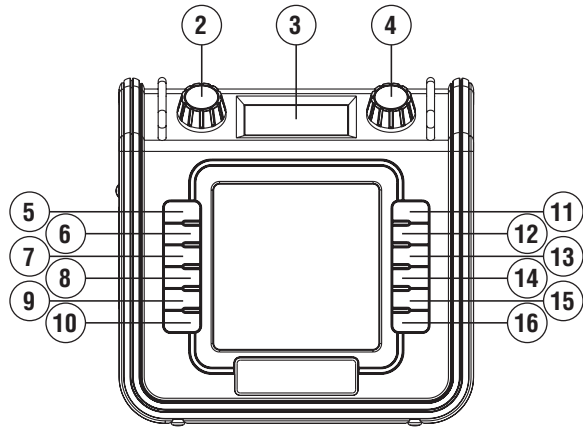
CONTROLS

Side View



1. Aux-in socket

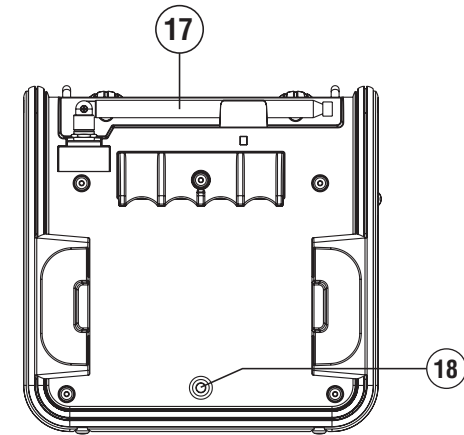
Front View



2. Volume control knob
3. Display
4. Tuning knob
5. On/Off (Standby) button
6. Source button
7. Menu button
8. Info button
9. Loudness button
10. Tone adjustment button
11. Preset 1
12. Preset 2
13. Preset 3
14. Preset 4
15. Preset 5
16. Preset 6

9. Loudness button
10. Tone adjustment button
11. Preset 1
12. Preset 2
13. Preset 3
14. Preset 4
15. Preset 5
16. Preset 6

Rear View



17. Telescopic antenna
18. AC power cord

POWER SUPPLY

AC operation

1. Before plugging the AC power cord into the AC socket, be sure the voltage is correct.
2. AC power cord storage is designed to store the cord when the radio is not in use.

Note:

In order to disconnect the unit from the mains completely, the AC power cord should be removed from the mains socket completely.

In case of malfunction due to electrostatic discharge or fast transient (burst), remove and reconnect the power supply.

USING THE RADIO FOR THE FIRST TIME

1. Place the radio on a flat surface.
2. Carefully extend the telescopic antenna located on the top of the radio. Adjust the antenna so it is vertically extending above the radio.
3. Plug the AC power cord into the AC socket. The radio will start up and the radio will automatically perform an auto scan of the Band III DAB channels and the FM band. The display will show "Scanning" in DAB and "Auto" in FM.
4. When the scan is completed, the 10 strongest FM stations will be stored as presets and the available DAB stations will be in the list of stations. The radio will switch to standby with the updated clock and date showing on the display.

DAB RADIO MODE

Operating the radio – DAB

1. Carefully extend the telescopic antenna located on the top of the radio. Adjust the antenna so it is vertically extending above the radio. Press the **On/Off** button to switch on the radio.
2. Select the DAB waveband by pressing the **Source** button.
3. The first station in the list of stations found will be played. The display will show the station name. If the radio has been used before, the last used station will be selected.
4. If no DAB signals are detected, "No stations available" will be displayed. It may be necessary to relocate the radio to a position with better reception. You should then carry out an auto scan to find stations, please refer to the section "**Find new stations - DAB**".

Selecting a station – DAB

1. Press the **On/Off** button to switch on the radio. The display will show "Connecting" and "Playing" for a few seconds.
2. The display shows the name of the radio station currently selected.
3. Rotate the **Tuning** knob to scroll through the list of available stations.
4. When the desired station name appears on the display, press the Tuning knob to select the station.

Note: If after selecting a station the display shows "No stations available", it may be necessary to relocate the radio to a position with better reception.

Display modes – DAB

In DAB mode, the radio can display a range of information on the display. Press the **Info** button to cycle through the various modes.

- | | |
|----------------------------|---------------------------------------------------------------------------------------------------------------------------------------------------|
| a. Scrolling text | Displays scrolling text message e.g. station information, artist/track name, phone-in number, etc. |
| b. Signal strength | Displays the signal strength of radio reception. The clear unfilled rectangle indicates minimum signal level required for satisfactory reception. |
| c. Program type | Displays the type of station being listened to e.g. Pop, Classic, News, etc. |
| d. Multiplex name | Displays the name of multiplex to which the current station belongs. |
| e. Channel & frequency | Displays the channel number and frequency for the currently tuned DAB station. |
| f. Bit rate & audio format | Displays the digital audio bit rate and audio format. |
| g. Time & date | Displays the current time and date. |

Finding new stations – DAB

From time to time, new stations may become available. You may proceed to find new stations as follows:

1. In DAB mode, press the **Menu** button, "Full scan" shows on the display.
2. Press the **Tuning** knob, the radio will perform a scan of the Band III DAB channels. As new stations are found, the station counter on the right-hand side of the display will increase and new radio stations found will be added to the list stored in the radio.

Manual Tuning – DAB

Manual tuning is an alternative method of finding new stations. Instead of scanning the entire Band III channels automatically, you may tune the radio directly to a known DAB channel and store all the multiplex in that channel into the available station list.

1. In DAB mode, press the **Menu** button and rotate the **Tuning** knob until the LCD display shows "Manual Tune", then press the **Tuning** knob. The display will show DAB channel and Frequency.

2. Rotate the **Tuning** knob to select the desired channel or Frequency and press the **Tuning** knob to tune to the chosen frequency.
3. When DAB stations in the tuned channel are found, the display will show the name of the station. Any new radio stations found will be added to the list stored in the radio.
4. The signal strength display shows the reception of the station. The clear unfilled rectangle indicates minimum signal level required for satisfactory reception. The signal strength bars will go up or down showing the changing signal strength as you adjust the antenna or the radio position.
5. Repeat step 1 to 4 for other channels with new stations.
6. Press the **Menu** button twice to exit manual tuning and return to normal DAB operation.

Dynamic Range Control (DRC) settings – DAB

DRC can make quieter sounds easier to hear when your radio is used in a noisy environment.

1. In DAB mode, press the **Menu** button and rotate the **Tuning** knob until “DRC value” appears on the display, press the **Tuning** knob.
2. Rotate the **Tuning** knob to select required DRC setting (default is OFF).
 DRC off DRC is switched off, broadcast DRC will be ignored.
 DRC high DRC is set as sent by broadcaster.
 DRC low DRC level is set to 1/2 that sent by broadcaster.
3. Press the **Tuning** the knob to confirm the setting. The display will return to normal radio display.

Note: Not all DAB broadcasts are able to use the DRC function. If the broadcast does not support DRC, then the DRC setting in the radio will have no effect.

Prune stations – DAB

If you move to a different area, some of the stations that were listed may no longer be available. Also, from time to time, some DAB services may stop broadcasting, or may change location or frequency. The Prune stations function will delete the unavailable DAB stations from your station list.

1. In DAB mode, press the **Menu** button.
2. Rotate the **Tuning** knob until the display shows “Prune”.
3. Press the **Tuning** knob to enter the setting.
4. Rotate the **Tuning** knob to select between “Yes” or “No” (default is No). Select “Yes” to enable this function if required, otherwise, select “No”.
5. Press the **Tuning** knob to confirm your setting. The display will return to last menu and press menu to go to the normal radio display.

FM RADIO MODE

Operating the radio – FM seek station

1. Press the **On/Off** button to turn on the radio.
2. Select the FM waveband by pressing the **Source** button.
3. If this is the first time to switch to FM mode, the station in preset 1 will be played. If the radio has been used before, the last listened station will be played.
4. To seek a station, press the **Tuning** knob. The scan stops automatically when it finds a station of sufficient strength.
5. After a few seconds, the display will update and show station name if RDS information is being received.
6. To find other stations, press the **Tuning** knob again.
7. To seek station in an opposite direction, rotate the **Tuning** knob clockwise (to scan from low frequency to high frequency) or rotate anti-clockwise (to scan from high frequency to low frequency), and press the **Tuning** knob.
8. When the waveband end is reached, the radio will recommence tuning from the opposite waveband end.

Manual tuning – FM

1. Press the **On/Off** button to turn on the radio.
2. Select the FM band by pressing the **Source** button.
3. Rotate the **Tuning** knob to reach the required FM station. The radio will change the frequency in steps of 50 kHz.
4. Rotate the antenna to get the best reception. If the radio is tuned to a station of sufficient signal strength with RDS information present, the display may change to show the station name.
5. When the waveband end is reached, the radio will recommence tuning from the opposite waveband end.

RDS station service – FM

RDS (Radio Data System) is an information system which inaudible digital information is transmitted in addition to the normal FM radio program. When the radio is receiving a RDS station and the reception strength is sufficient, the station name will appear in the display. It may take some time before the RDS information is available.

Calling up RDS information

When you are listening to a FM station with RDS system, repeatedly press the Info button to cycle through the information. This will only function if the reception level is sufficient and clear.

- | | |
|-----------------------|-------------------------------------------------------------------------------|
| a. Radio text (RT) | Displays the message about the station being listened to as ticker text. |
| b. Program type (PTY) | Displays the type of station being listened to, e.g. Pop, Classic, News, etc. |
| c. Frequency | Displays the frequency of the station being listened to. |
| d. Signal level | Displays the signal strength. |
| e. Time & date | Displays the current time (24 hour clock) and date. |

Scan sensitivity setting – FM

The radio will normally scan all stations from FM broadcasts including the weaker signals. However, you may wish the Auto-scan to find only those stations with strong enough signals to give good reception.

1. Press the **On/Off** button to turn on the radio.
2. Select the FM band by pressing the **Source** button.
3. Press the **Menu** button, the display shows “Scan setting”.
4. Press the **Tuning** knob.
5. Rotate the **Tuning** knob to select between “All stations” or “Strong station” (default is “All stations”). The “Strong station” option will allow the radio to find strong signals only when scanning.
6. Press the **Tuning** knob to confirm your setting. The display will return to normal radio display.

PRESET STATIONS

Storing preset stations

There are 6 memory presets in the radio for each DAB and FM. Presets are remembered by the radio in the event of a power failure.

1. Press the **On/Off** button to turn on the radio.
2. Press the **Source** button to select the desired waveband.
3. Tune to the required station.
4. Press and hold the required **Preset** button until the radio beeps and shows “Saved”.
5. Repeat step 3 and 4 for the remaining presets.
6. Stations stored in the preset memories can be over-written by following the above procedure.

Recalling preset stations

1. Press the **On/Off** button to turn on the radio.
2. Press the **Source** button to select the desired waveband.
3. Briefly Press the required **Preset** button. In FM mode the display will show for example “P1” on top right hand side.

AUX-IN MODE

A 3.5mm stereo Aux-in socket is provided on the side under the rubber cover, for connecting an external audio radio such as MP3 player or CD player (not included with this radio).

1. Connect an audio source to the Aux-in socket.
2. Press the **Source** button to select AUX input. The display will show “AUX-IN”.
3. Play the external player.
4. Adjust the volume of both the radio and the player for comfortable listening.
5. After use, close the rubber cover to prevent moist or dust from entering into the sockets and radio.
6. If there is no Aux-in signal for an extended period of 15 minutes, the radio will be switched off. When there is 5 minutes left, the radio will show a countdown on the display.

Notes: Never use the Aux-in socket in rainy or moist conditions to prevent moist from entering the radio. Keep the rubber cover closed under these conditions.

The Auto-Power management function will be activated in AUX mode. If there is no signal* from the Aux-In socket for a period of over 15 minutes, the radio will automatically switch to standby mode. Pressing the **On/Off** button will wake up the unit.

* Also when the incoming signal from the external radio is too low and cannot be detected for a period of over 15 minutes by the Auto-Power management, the radio will switch to standby mode.

To prevent this raise the output level of the external radio enough to be detected.

LOUDNESS

The **Loudness** function enables to get compensation on lower and higher frequency. The effect will be more audible when the radio is on a lower volume level (Dynamic Loudness).

1. Press the **Loudness** button to enable the loudness, the display shows “Loudness On”.
2. Press the Loudness button again to disable the loudness, the display shows “Loudness Off”.

TONE (BASS/TREBLE SETTINGS)

The Tone function enables the user to adjust the lower and higher sound frequencies.

1. Press the **On/Off** button to turn on the radio.
2. Press the **Tone** button, the display shows "BASS 0".
3. Rotate the **Tuning** knob to set the desire Bass level.
4. Press the **Tuning** knob to confirm, the display shows "TREBLE 0".
5. Rotate the **Tuning** knob to set the desire Treble level.

TIME AND DATE SETTINGS

1. The displayed clock will automatically synchronize with the time and date of a DAB station or a FM RDS radio station (if available, please see "RDS station service").
2. To manually set the time and date, turn off the radio by pressing the **On/Off** button.
3. Press and hold the **Tuning knob** for about 12 seconds, until the clock flashes in the display.
4. Rotate the **Tuning knob** to adjust the data and then press the **Tuning knob** to confirm each part of the required time and date.
5. Select and confirm "Synclock On" when you want the time and date to be updated by the RDS signal. Select and confirm "Synclock Off" when you want to disable the time and date to be updated by either DAB signal or FM RDS signal and keep your own manually set time and date.

Note: When disconnecting the radio from AC power the time setting will be lost and will have to be picked up again from the radio signal the next time the radio is used again in DAB or FM Radio mode. Menu settings and station presets are stored in the internal memory and are not lost when the radio is disconnected from AC power.

RADIO TIME SYNCHRONISATION

If "SYNCLOCK ON" is selected, the symbol "⌚" will show on the clock display. Some RDS stations transmit a time signal. If reception is good and you have selected the "SYNCLOCK ON" option during the time setting, the time will be automatically updated ("⌚" flashes on the display). Time synchronization could take several minutes. The automatic time setting is always activated when the radio is switched from standby to DAB or FM broadcasting with receives a RDS station.

ALARM SETTINGS

The alarm settings can only be changed when the radio is off (in standby mode). If no buttons are pressed for 5 seconds, the radio will exit the alarm setup menu and the settings are cancelled.

Setting the alarm time (only possible in standby mode)

1. Press the Menu button once and rotate the Tuning knob until the display shows "Alarm Set".
2. Press the Tuning knob to enter and the hour digits flash on the display.
3. Rotate the Tuning knob to set alarm hours.
4. Press the Tuning knob to confirm. The minute digits flash.
5. Rotate the Tuning knob to set alarm minute.
6. Press the Tuning knob to confirm.
7. The display will then show "Alarm Source". You may choose either "Buzzer", "DAB" or "FM Radio". Rotate Tuning knob to select. If "DAB" or "FM Radio" is selected, the last listened station will be played when the alarm rings.
8. The display will then show "Alarm Volume". Rotate the Volume knob to set the alarm volume.
9. Press Tuning knob to confirm.
10. The alarm icon (a bell shape) will be shown on the display, left next to the time.

Switching on/off the alarm (only possible in standby mode)

1. To switch the alarm on, press and hold the Info button and the alarm icon (a bell shape) will be shown on the display, left next to the time. To switch it off, press and hold the Info button again.
2. To turn off the alarm when it buzzes, simply press the On/Off button.

LANGUAGES

The menu of the radio can be configured to various languages.

1. Press the **Menu** button, and then rotate the Tuning knob until the display shows "System".
2. Press the **Tuning** knob; rotate the Tuning knob until the display shows "Language".
3. Press the **Tuning** knob to enter the language adjustment menu.
4. Rotate the **Tuning** knob until the desired language appears on the display (default is English).
5. Press the **Tuning** knob to confirm your choice. The display menu will change to the chosen language.

SOFTWARE VERSION

The software display cannot be altered and is just for your reference. You can only view the software version in DAB and FM mode.

1. Press the **On/Off** button to switch on the radio.
2. Press the **Source** button to select FM or DAB mode.
3. Press the **Menu** button until the display shows "Full Scan", and then rotate the Tuning knob until the display shows "System".
4. Press the **Tuning** knob; rotate the Tuning knob until the display shows "SW version".

5. Press the **Tuning** knob to view the software version.
6. Press the **Tuning** knob to back to last menu and press **menu** to return to the normal radio display.

SYSTEM RESET

If the radio fails to operate correctly, or some digits on the display are missing or incomplete, carry out the following procedure.

1. Press the **On/Off** button to switch on the radio.
2. Press the **Menu** button,
3. Rotate the **Tuning** knob until the display shows "System". Press the Tuning knob.
4. Rotate the **Tuning** knob until the display shows "Factory reset". Press the Tuning knob.
5. Rotate the **Tuning** knob to select between "Yes" or "No". Select "Yes" if you wish to reset the radio, otherwise, select "No".
6. Press the **Tuning** knob to cause the factory reset.
7. A full reset will be performed. All presets and the station list will be erased. All settings will be set to the default values. The display will show "WELCOME TO DIGITAL RADIO" for a few seconds, and then the radio will automatically perform an auto scan of the Band III DAB channels and the FM band, the display will show "Scanning" at DAB and "Auto" at FM.

In case of malfunction due to electrostatic discharge; reset the product as above to resume normal operation. If you are not able to perform the reset operation as above, remove and reconnect all batteries and the power supply.

INFORMATION ON THE METAL TELESCOPIC ANTENNA

The antenna placed on this radio is a long, metal telescopic antenna. This antenna is NOT flexible or bendable and should be used with care. When used in a dusty or dirty environment please clean the antenna from time to time with a dry cloth to ensure normal operation. When used in a wet, moist or dirty environment it is advised to regularly, after first cleaning with a dry cloth, thinly apply a universal protection oil (like e.g. WD40) with a cloth to prevent rust and corrosion and to ensure normal operation.

ADDITIONAL FLEXIBLE PLASTIC ANTENNA (SUPPLIED WITH THE RADIO IN THE BOX)

You can use this as an alternative antenna for your radio in a situation where the metal telescopic antenna is too vulnerable.

Installing: Carefully screw off the standard metal telescopic antenna. First carefully loosen the

antenna with an open-end-wrench (size 14) – turn counter anti-clockwise.

Carefully screw on the flexible plastic antenna and softly tighten it with an open-end wrench key (size 14) – turn clockwise.

ATTENTION: In order to prevent the antennas' thread from breaking off or being damaged do not over-tighten antennas with the spanner.

BACKLIGHT

LCD backlight configuration

1. Press the **On/Off** button to turn on the radio.
2. Press the **Menu** button, and then rotate the **Tuning** knob until the display shows "LCD backlight".
3. Press the **Tuning** knob to enter the LCD backlight adjustment menu.
4. Rotate the **Tuning** knob to select "on" in order to keep backlight always lightened when the radio is turned on with AC power supply;
5. Or rotate the **Tuning** knob to select "off" (by default) so that the backlight will be lightened for about 10 seconds whenever a button is pressed with AC power supply.
6. Press the **Tuning** knob to confirm your choice.

WARRANTY

This radio has a 2 year limited warranty.

WARNING ! Warranty becomes void once the radio cabinet has been opened or any modifications or alterations to the radio have been made !

The terms of the warranty of this radio do not cover the following:

- Damage caused by misuse, abuse, neglect, alterations, accidents or unauthorised repair.
- Normal wear and tear.
- Breaking or bending of the metal telescopic antenna

SPECIFICATIONS

Power requirements

Mains AC230V ~, 50Hz

Frequency coverage

DAB 174,928 – 239,200 MHz

FM 87.5 – 108 MHz

Circuit features

Loudspeaker 1 x ø4 inch

Output power 1 x 5w

Aux In socket ø3.5 mm



Environmental note

This product has been manufactured with high quality parts and materials, which can be reused and recycled. Therefore, do not throw the product away with normal household waste at the end of its service life. Take it to a collection point for the recycling of electrical and electronic device. This is indicated by this symbol on the product, in the operating manual and on the packaging. Please find out about collection points operated by your local authority. Help protect the environment by recycling used products.

GB



TABLE DES MATIERES

INFORMATIONS DE SECURITE IMPORTANTES	2
COMMANDES	3
ALIMENTATION	5
PREMIERE UTILISATION DE LA RADIO	5
MODE DAB	5
MODE RADIO FM	8
STATIONS PRESELECTIONNEES	10
MODE AUX-IN	10
LOUDNESS (SONORITE)	11
TONALITE (REGLAGES DES BASSES ET DES AIGUËS)	11
REGLAGE DE L'HEURE ET DE LA DATE	12
SYNCHRONISATION DE L'HEURE	12
REGLAGE DE L'ALARME	12
SELECTION DE LA LANGUE	13
VERSION DU LOGICIEL.....	13
REINITIALISATION DU SYSTEME	14
INFORMATIONS SUR LES ANTENNES	14
ECLAIRAGE DE L'ECRAN	15
GARANTIE	15
CARACTERISTIQUES TECHNIQUES	16

AVERTISSEMENT : LA GARANTIE PREND FIN LORSQUE LE BOITIER DE LA RADIO A ÉTÉ OUVERT OU LORSQUE LA RADIO A ÉTÉ MODIFIÉE DE QUELQUE MANIÈRE QUE CE SOIT PAR L'UTILISATEUR FINAL.



ATTENTION : risque d'électrocution – ne pas ouvrir.

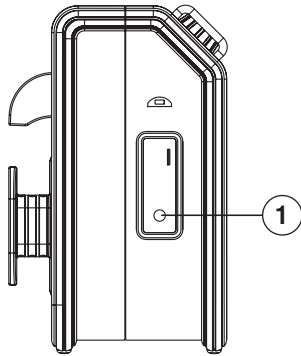
INFORMATIONS DE SECURITE IMPORTANTES

1. Lisez attentivement et complètement le mode d'emploi de la radio.
2. Conservez soigneusement ce mode d'emploi.
3. Tenez compte de tous les avertissements.
4. Suivez toutes les instructions.
5. Nettoyez la radio exclusivement avec un linge propre et sec.
6. N'obstruez pas les ouvertures de ventilation. Installez la radio conformément aux instructions.
7. N'installez pas la radio à proximité de sources de chaleur (radiateurs de chauffage, grilles de ventilation, fours et autres appareils (amplis compris) qui génèrent de la chaleur.
8. Ne tenter jamais de modifier les fiches et prises polarisées ou comportant un plot de terre destiné à garantir votre sécurité. Une prise polarisée possède deux contacts, dont l'un est plus large que l'autre. Une prise à plot de terre possède deux contacts et un plot de mise à la terre. Le contact le plus large ou le plot de terre est prévu pour assurer votre sécurité. Si la fiche fournie ne s'adapte pas dans la prise de courant de votre installation, consultez un électricien pour le remplacement de la prise de courant.
9. Protégez le cordon d'alimentation de la radio de manière à éviter tout dommage à celui-ci, en particulier au niveau de la prise de courant et de la sortie de la radio.
10. Utilisez exclusivement les pièces et accessoires prévus par le fabricant.
11. Utilisez la radio exclusivement sur un support mobile, un présentoir, un trépied, un support mural ou une table recommandé par le fabricant ou vendu avec la radio. Lors de l'utilisation d'un support mobile, soyez prudent en déplaçant l'ensemble support/radio, de façon à éviter de vous blesser en cas de chute de la radio.
12. Retirez la fiche du cordon d'alimentation de la radio de la prise de courant pendant un orage ou lorsque la radio n'est pas utilisée durant un certain temps.
13. Confiez toute réparation ou tout entretien à un personnel qualifié. Une réparation ou un entretien est nécessaire lorsque la radio, le cordon d'alimentation ou la fiche a été endommagé, lorsqu'un liquide a été renversé sur la radio et a pénétré dans celle-ci, lorsque des objets sont tombés sur la radio et ont pénétré dans celle-ci, lorsque la radio a été exposée à la pluie ou à l'humidité, lorsque la radio ne fonctionne pas normalement ou lorsque la radio est tombée d'une certaine hauteur.
14. Afin d'éviter tout risque d'incendie ou d'électrocution, n'exposez pas la radio à la pluie ni à l'humidité.
15. Ne tentez jamais de démonter la radio. Celle-ci ne comporte aucun élément qui soit réparable par l'utilisateur.
16. Ne posez jamais sur la radio des objets dégagant de la chaleur ou présentant une flamme nue.
17. Lors d'une utilisation à l'air libre par temps humide ou pluvieux, faites fonctionner la radio sur piles afin d'éviter tout risque d'électrocution. Afin de prévenir le risque d'électrocution lorsque la radio a été exposée à l'eau ou à la pluie, le cordon d'alimentation ainsi que la fiche doivent être complètement séchés avant d'insérer la fiche du cordon d'alimentation de la radio dans une prise de courant.
18. La prise de courant doit être proche de la radio et rester toujours accessible, de sorte que seule la fiche de la radio doit être retirée de la prise de courant en cas d'urgence.
19. Les informations légales concernant la radio se trouvent sur la face inférieure de celle-ci.
20. Cette radio est protégée contre les projections d'eau (IP65).
21. En cas de perturbations provoquées par une décharge électrostatique ou une pointe de tension, la fiche du cordon d'alimentation de la radio doit être retirée un bref instant de la prise de courant et réinsérée ensuite dans celle-ci.
22. Pour éviter d'endommager l'audition, ne pas écouter à volume élevé pendant de longues périodes.



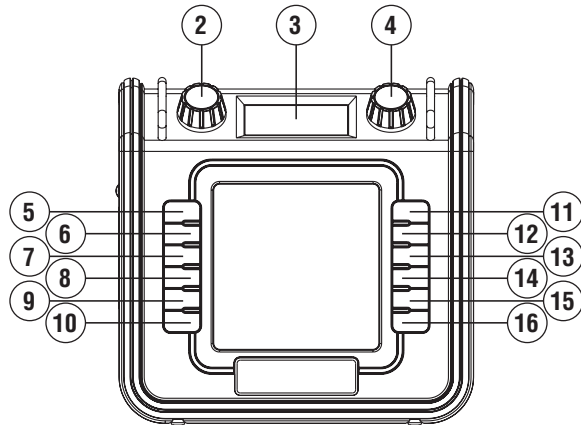
COMMANDES

Côté



1. Aux-in socket

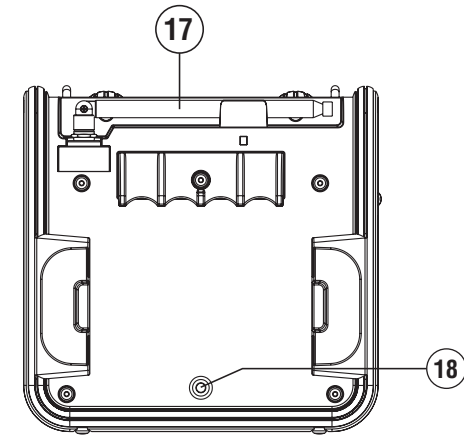
Face avant



2. Bouton de volume
3. Écran d'affichage
4. Bouton de fréquence
5. Touche ON/OFF (Standby)
6. Touche de sélection de la source Audio
7. Touche de Menu
8. Touche Info
9. Touche de sonorité (Loudness)
10. Touche de tonalité
11. Présélection 1
12. Présélection 2
13. Présélection 3
14. Présélection 4
15. Présélection 5
16. Présélection 6

9. Touche de sonorité (Loudness)
10. Touche de tonalité
11. Présélection 1
12. Présélection 2
13. Présélection 3
14. Présélection 4
15. Présélection 5
16. Présélection 6

Face arrière



17. Antenne télescopique
18. Cordon d'alimentation

ALIMENTATION

Utilisation sur courant secteur

1. Avant d'insérer la fiche du cordon d'alimentation de la radio dans une prise de courant, assurez-vous que la tension soit correcte.
2. Le cordon d'alimentation peut être rangé à l'arrière de la radio lorsque celle-ci n'est pas utilisée.

Remarque :

Afin de déconnecter complètement la radio du secteur, la fiche du cordon d'alimentation doit être retirée de la prise de courant.

En cas de perturbations provoquées par une décharge électrostatique ou une pointe de tension, la fiche du cordon d'alimentation de la radio doit être retirée un bref instant de la prise de courant et réinsérée ensuite dans celle-ci.

PREMIERE UTILISATION DE LA RADIO

1. Posez la radio sur une surface stable et plane.
2. Déployez entièrement avec précaution l'antenne télescopique située au-dessus de la radio.
Orientez l'antenne verticalement par rapport à la radio.
3. Connectez le câble d'alimentation à la radio et branchez-le. Lorsque la radio est raccordée pour la première fois à une source de courant, la radio s'allume automatiquement et effectue un balayage des fréquences DAB de bande III et de la bande de fréquences FM. L'écran affiche alors « Scanning » (balayage) en mode DAB et « Auto » en mode FM.
4. Lorsque le balayage est terminé, les 10 stations au signal le plus puissant seront sauvegardées en présélections et les stations DAB disponibles apparaîtront dans la liste des stations. La radio passera en mode standby et l'heure et la date mises à jour s'afficheront sur l'écran.

MODE DAB

Utilisation de la radio en mode DAB

1. Relevez l'antenne télescopique située au-dessus de la radio. Orientez l'antenne verticalement par rapport à la radio. Appuyez sur la touche **ON/OFF** pour allumer la radio.
2. Appuyez sur la touche **Source** (touche de sélection de la source audio) pour sélectionner le mode DAB.
3. La première station de la liste de stations sera alors audible et le nom de la station sera affiché à l'écran. Si la radio a déjà été utilisée, la dernière station sélectionnée sera dans ce cas audible.

4. Lorsqu'aucun signal radio n'a été trouvé, le message "No stations available" (Aucune station disponible) sera affiché à l'écran. Il peut être nécessaire dans ce cas de placer la radio dans un autre endroit offrant une meilleure réception. Vous pouvez ensuite effectuer un Auto Scan pour rechercher des stations DAB. Voir le point "**Recherche de nouvelles stations en mode DAB**".

Sélection d'une station en mode DAB

1. Appuyez sur la touche ON/OFF pour allumer la radio. L'écran affichera « Connecting » (en connexion) et « Playing » (en marche) pendant quelques secondes.
2. Le nom de la station DAB trouvée sera ensuite affiché à l'écran.
3. Tournez le **bouton de Fréquence** pour parcourir la liste des stations DAB disponibles.
4. Lorsque le nom de la station DAB souhaitée apparaît à l'écran, appuyez sur le **bouton de Fréquence** pour sélectionner la station DAB en question.

Remarque: Lorsque le message "No stations available" (Aucune station disponible) apparaît à l'écran après avoir sélectionné une station DAB, il peut être nécessaire dans ce cas de placer la radio dans un autre endroit offrant une meilleure réception.

Affichage en mode DAB

En mode DAB, la radio est capable d'afficher diverses informations.

Appuyez sur la touche **Info** pour parcourir les différentes informations disponibles.

- | | |
|---------------------------------|-----------------------------------------------------------------------------------------------------------------------------------------------------------------------------|
| a. Texte défilant: | Affiche des messages de la station DAB que vous écoutez, sous la forme d'un texte défilant. Exemples: informations sur la station, nom de l'artiste/ du morceau etc. |
| b. Force du signal: | Affiche la force du signal de réception de la station DAB que vous écoutez. Le bloc ouvert indique le niveau minimum du signal nécessaire pour obtenir une bonne réception. |
| c. Type de programme: | Affiche le type de programme que vous écoutez, par exemple Pop, Classique, Actualités, etc. |
| d. Nom du multiplex: | Affiche le nom du multiplex auquel la station DAB appartient. |
| e. Canal et fréquence: | Affiche le numéro et la fréquence de la station DAB que vous écoutez. |
| f. Débit binaire et type audio: | Affiche le débit binaire et le format audio de l'émission. |
| g. Heure et date: | Affiche l'heure exacte et la date. |

Recherche de nouvelles stations en mode DAB

De temps à autre, il se peut que de nouvelles stations DAB soient disponibles. Pour trouver celles-ci :

1. En mode DAB, appuyez sur la touche **Menu**. "Full scan" (Balayage complet) sera ensuite affiché à l'écran.

- Appuyez sur le bouton de Fréquence. La radio effectuera alors un balayage complet des fréquences de la DAB Bande III. Lorsque la radio trouve de nouvelles stations DAB, celles-ci seront ajoutées à la liste des stations DAB disponibles.

Recherche manuelle de stations en mode DAB

La recherche manuelle est une méthode alternative pour trouver de nouvelles stations. Plutôt que de balayer toute la bande DAB, vous pouvez choisir directement une station DAB que vous connaissez déjà et sauvegarder tout le multiplex dans la liste de stations disponibles.

- En mode DAB, appuyez sur la touche **Menu** et tournez le **bouton de Fréquence** jusqu'à ce que "Manual Tune" (Syntonisation manuelle) soit affiché à l'écran. Pressez ensuite le **bouton de Fréquence**.
- Tournez le **bouton de Fréquence** pour sélectionner la chaîne ou la fréquence désirée et pressez le bouton de Fréquence pour passer sur la fréquence désirée.
- Lorsque la radio capte un signal DAB, le nom de la station sera affiché à l'écran. Toute nouvelle station de radio trouvée sera ajoutée à la liste sauvegardée dans la radio.
- L'affichage de la force du signal indique le niveau du signal capté par la radio. Le bloc ouvert indique le niveau minimum du signal nécessaire pour obtenir une bonne réception. L'affichage de la force du signal change lorsque vous changez la position de l'antenne et/ou de la radio.
- Répétez les étapes 1 à 4 pour d'autres chaînes avec de nouvelles stations.
- Appuyez deux fois sur le bouton **Menu** pour sortir de la recherche manuelle et revenir ainsi au menu DAB standard.

Réglages Dynamic Range Control (DRC) en mode DAB

La fonction DRC permet de rendre des sons doux plus audibles lorsque la radio est utilisée dans un environnement ou un endroit particulièrement bruyant.

- En mode DAB, appuyez sur la touche **Menu** et tournez le **bouton de Fréquence** jusqu'à ce que "DRC value" (Valeur DRC) soit affiché à l'écran. Appuyez ensuite sur le bouton de Fréquence.
- Tournez le **bouton de Fréquence** pour sélectionner le réglage DRC souhaité (normalement, la fonction DRC est désactivée)
DRC Off la fonction DRC est désactivée
DRC élevé la fonction DRC est réglée telle qu'elle est émise par l'opérateur de radio
DRC basse la fonction DRC est réglée à 50% du niveau émis
- Appuyez sur le **bouton de Fréquence** pour confirmer votre sélection et revenir au menu DAB standard.

Remarque : Toutes les stations DAB n'utilisent pas la fonction DRC. Lorsqu'une station DAB n'émet aucune information DRC, les réglages DRC n'auront aucun effet sur la radio.

Suppression de stations (Fonction "Prune") en mode DAB

Lorsque vous vous rendez dans une autre région ou dans un autre pays, il se peut que certaines stations DAB ne soient plus disponibles. Il se peut également que certaines stations DAB cessent d'émettre ou changent de fréquence. La fonction "Prune" (Suppression) permet de supprimer de la liste des stations DAB, les stations DAB qui ne sont plus disponibles.

- En mode DAB, appuyez sur la touche **Menu**.
- Tournez le **bouton de Fréquence** jusqu'à ce que "Prune" (Suppression) soit affiché à l'écran.
- Appuyez ensuite sur le **bouton de Fréquence**.
- Tournez le bouton de Fréquence pour sélectionner "Yes"(Oui) ou "No"(Non) (Le réglage standard est Non). Sélectionnez « Yes » pour activer cette fonction ou « No » dans le cas contraire.
- Appuyez sur le bouton de Fréquence pour confirmer votre sélection et revenir au dernier menu et pressez menu pour revenir à l'écran d'affichage normal de la radio.

MODE RADIO FM

Recherche automatique d'une station

- Appuyez sur la touche **ON/OFF** pour allumer la radio.
- Appuyez sur la touche Source (touche de sélection de la source audio) pour sélectionner le mode FM.
- Lors de la première utilisation de la radio, la station FM dans la mémoire de présélection 1 sera sélectionnée. Si la radio a déjà été utilisée dans le passé, la dernière station FM écoutée sera dans ce cas sélectionnée.
- Appuyez sur le **bouton de Fréquence** pour démarrer la recherche automatique de stations FM ("scanning"). La radio lancera alors la recherche et s'arrêtera automatiquement lorsqu'elle trouve une station FM offrant une bonne réception.
- Après quelques secondes, l'écran s'actualisera et affichera le nom de la station si l'information RDS peut-être reçue.
- Pour rechercher une autre station FM, appuyez de nouveau sur le **bouton de Fréquence**.
- Pour rechercher des stations FM dans le sens opposé, tournez le **bouton de Fréquence** dans le sens des aiguilles d'une montre (pour rechercher des stations FM depuis les basses fréquences vers les hautes fréquences) ou dans le sens inverse des aiguilles d'une montre (pour rechercher des stations FM depuis les hautes fréquences vers les basses fréquences) et appuyez ensuite sur le **bouton de Fréquence**.
- Lorsque la fin de la plage de fréquences FM est atteinte, la radio recommencera la recherche depuis l'autre extrémité de la plage de fréquences FM.

Recherche manuelle de stations en mode FM

1. Appuyez sur la touche **ON/OFF** pour allumer la radio.
2. Appuyez sur la touche **Source** (touche de sélection de la source audio) pour sélectionner le mode FM.
3. Tournez le **bouton de Fréquence** pour atteindre la station FM souhaitée. La fréquence changera par incréments de 50 kHz.
4. Tournez éventuellement l'antenne pour obtenir une meilleure réception. Si la radio est réglée sur une station qui reçoit un signal suffisamment puissant avec informations RDS, l'écran peut afficher le nom de la station.
5. Lorsque la fin de la plage de fréquences FM est atteinte, la radio recommencera la recherche depuis l'autre extrémité de la plage de fréquences FM.

Système d'informations RDS en mode FM

Le RDS (Radio Data System) est un système d'informations par lequel des informations numériques non audibles sont transmises en plus du programme radio FM normal. Lorsque la radio capte une station RDS et que la réception est suffisamment bonne, le nom de la station FM apparaîtra à l'écran LCD. Un certain temps peut s'écouler avant que les informations RDS soient disponibles.

Activation du système d'informations RDS

Lorsque vous écoutez une station FM comportant le système RDS, appuyez plusieurs fois sur la touche **Info** pour parcourir les informations RDS disponibles. Ceci fonctionne uniquement lorsque la réception est suffisamment bonne et claire.

- | | |
|----------------------------|------------------------------------------------------------------------------------------------|
| a. Radio Texte (RT) | Affiche des messages de la station FM que vous écoutez, sous la forme d'un texte défilant |
| b. Type de Programme (PTY) | Affiche le type de station FM que vous écoutez.
Exemples : Pop, Classique, Actualités, etc. |
| c. Fréquence | Affiche la fréquence de la station FM que vous écoutez. |
| d. Force du Signal | Affiche la force du signal de réception de la station FM que vous écoutez |
| e. Heure et Date | Affiche l'heure exacte (horloge 24 heures) et la date. |

Réglage de la sensibilité de balayage en mode FM

La radio effectue normalement un balayage de toutes les stations FM, y compris celles dont le signal est faible. Il vous est toutefois possible de régler la fonction de balayage de telle sorte que seules les stations FM dont le signal est fort assez pour offrir une bonne réception, soient captées.

1. Appuyez sur la touche **ON/OFF** pour allumer la radio.
2. Appuyez sur la touche **Source** (touche de sélection de la source audio) pour sélectionner le mode FM.
3. Appuyez sur la touche **Menu**. "Scan setting" (Réglage de la sensibilité de balayage) sera ensuite affiché à l'écran.

4. Appuyez sur le **bouton de Fréquence**.
5. Tournez le **bouton de Fréquence** pour sélectionner "All stations" (Toutes les stations) ou "Strong stations" (Stations au signal fort). Le réglage standard est "All stations" (Toutes les stations). Lorsque l'option "Strong stations" (Stations au signal fort) a été sélectionnée, la radio captera, lors du balayage des stations FM, uniquement les stations dont le signal est fort.
6. Appuyez **sur le bouton de Fréquence** pour confirmer le réglage. L'écran revient à l'affichage normal de la radio.

STATIONS PRESELECTIONNEES

Mémoire de stations présélectionnées

La radio possède 6 emplacements de mémoire de stations présélectionnées pour le mode DAB et 6 emplacements pour le mode FM. Les stations présélectionnées seront conservées dans la mémoire de la radio même en cas de coupure de courant.

1. Appuyez sur la touche **ON/OFF** pour allumer la radio.
2. Appuyez sur la touche **Source** (touche de sélection de la source audio) pour sélectionner le mode FM ou DAB.
3. Sélectionnez la station souhaitée.
4. Appuyez sur la touche de **Présélection souhaitée** jusqu'à ce que la radio émette un bip et affiche "Saved" (Mémorisée).
5. Répétez les étapes 3 et 4 pour les autres présélections.
6. Les stations présélectionnées et mémorisées peuvent être écrasées en répétant les points 3 et 4 ci-dessus.

Rappel de stations présélectionnées

1. Appuyez sur la touche **ON/OFF** pour allumer la radio.
2. Appuyez sur la touche **Source** (touche de sélection de la source audio) pour sélectionner le mode FM ou DAB.
3. Appuyez brièvement sur la touche de **Présélection souhaitée**. Le numéro de la présélection et la fréquence de la station seront ensuite affichés à l'écran.

MODE AUX-IN

Une prise Aux-in stéréo de 3,5mm est prévue sur le côté de la radio, derrière le capuchon en caoutchouc, et permet d'y brancher un appareil audio externe, comme par exemple un lecteur MP3 ou un lecteur de CD (non fourni avec la radio).

1. Raccordez une source audio externe à la prise Aux-in.
2. Appuyez sur la touche **Source** de Sélection Source Audio pour sélectionner l'entrée auxiliaire. L'écran affiche ensuite "AUX-IN".
3. Allumez et démarrez le lecteur externe.
4. Réglez le volume de la radio et du lecteur à un niveau d'écoute confortable.

- Après utilisation de la prise Aux-in, replacez soigneusement la coiffe en caoutchouc afin d'empêcher l'humidité ou la poussière de pénétrer dans la prise et dans la radio.
- En l'absence de signal Aux-in pendant 15 minutes, la radio s'éteint automatiquement. Pendant les 5 dernières minutes, un décompte du temps restant est affiché à l'écran LCD.

Remarque : N'utilisez jamais la prise AUX-IN sous la pluie ni dans un endroit très humide, de façon à éviter que de l'humidité pénètre dans la radio. Conservez dans ce cas la coiffe en caoutchouc soigneusement fermée.

La fonction de gestion automatique de l'alimentation sera activée en mode AUX IN. En l'absence de signal d'entrée à la prise AUX IN pendant plus de 15 minutes, la radio se mettra automatiquement en mode standby (veille). Pour rallumer la radio, appuyez sur la touche ON/OFF.

* Lorsque le signal d'entrée du lecteur externe est trop faible et ne peut être détecté pendant plus de 15 minutes par la fonction de gestion automatique de l'alimentation, la radio se mettra automatiquement en mode standby (veille). Afin d'éviter que la radio se mette en mode standby (veille), augmentez légèrement le volume de sortie du lecteur externe jusqu'à ce que le signal soit détecté.

LOUDNESS

Appuyez sur la touche **Loudness** (Sonorité) pour obtenir une compensation dans les basses et hautes fréquences. L'effet sera plus audible lorsque la radio est réglée à un faible volume (Dynamic Loudness).

- Appuyez sur la touche **Loudness** pour activer la fonction « Loudness ». L'écran affiche alors "Loudness On".
- Appuyez à nouveau sur la touche Loudness pour désactiver la fonction « Loudness ». L'écran affiche alors "Loudness Off".

TONALITE (BASSES/AIGUES)

Les basses et les aiguës peuvent également être réglées en fonction de vos goûts personnels.

- Appuyez sur la touche **ON/OFF** pour allumer la radio.
- Appuyez sur le bouton de **Tonalité**. "BASS 0" (BASSES 0) sera alors affiché à l'écran.
- Tournez le **bouton de Fréquence** pour régler les basses au niveau souhaité.
- Appuyez sur le **bouton de Fréquence** pour confirmer. "TREBLE 0" (AIGUËS 0) sera ensuite affiché à l'écran.
- Tournez le **bouton de Fréquence** pour régler les aiguës au niveau souhaité.

REGLAGE DE L'HEURE ET DE LA DATE

- L'heure et la date affichées sont synchronisées automatiquement sur base de l'heure et de la date de la station RDS captée par la radio. (Pour de plus amples informations, voir "Service d'informations RDS")
- L'heure et la date peuvent être réglées manuellement en pressant le bouton **ON/OFF**.
- Appuyez sur le **bouton de Fréquence** pendant 12 secondes jusqu'à ce que les chiffres correspondant aux heures clignotent à l'écran.
- Tournez le bouton de Fréquence pour régler chaque chiffre et appuyez chaque fois sur le **bouton de Fréquence** pour confirmer chaque chiffre.
- Sélectionnez et confirmez "Synclock On" si vous souhaitez que l'heure et la date soient synchronisées par le signal RDS. Sélectionnez et confirmez "Synclock Off" si vous ne souhaitez pas que l'heure et la date soient synchronisées par le signal RDS et souhaitez garder l'heure et la date que vous avez réglées manuellement.

Remarque : Lorsque la radio est déconnectée du secteur, l'heure et la date seront perdues et devront être récupérées lorsque la radio est utilisée de nouveau en mode FM et capte un signal RDS. Les sélections du menu et les stations présélectionnées sont cependant mémorisées dans la mémoire interne de la radio et ne sont pas perdues lorsque la radio est déconnectée du secteur.

SYNCHRONISATION DE L'HEURE

Lorsque "SYNLOCK ON" a été sélectionné, l'icône " « s'affiche à l'écran. Certaines stations RDS transmettent un signal horaire. Lorsque la réception est bonne et que vous avez sélectionné l'option "SYNLOCK ON", l'heure sera réglée automatiquement (" " clignotera à l'écran). La synchronisation de l'heure peut prendre quelques minutes. Le réglage automatique de l'heure sera toujours activé lorsque la radio passera du mode standby au mode DAB ou FM et capte une station RDS.

REGLAGE DE L'ALARME

L'alarme peut être réglée uniquement lorsque la radio est éteinte (en mode standby). En l'absence de pression sur une touche, la radio quitte le mode de réglage de l'alarme après 5 secondes et le réglage est annulé.

Réglage de l'alarme (possible uniquement en mode standby)

- Appuyez sur la touche de **Menu** et tournez le **bouton de Fréquence** jusqu'à ce que "ALARM SET" (Réglage de l'alarme) soit affiché à l'écran.
- Appuyez sur le **bouton de Fréquence**. Les chiffres correspondant à l'heure de l'alarme clignotent ensuite à l'écran.
- Tournez le **bouton de Fréquence** pour régler l'heure de l'alarme.
- Appuyez sur le **bouton de Fréquence** pour confirmer votre choix. Les chiffres correspondant aux minutes clignotent ensuite à l'écran.

5. Tournez le **bouton de Fréquence** pour régler les minutes.
6. Appuyez sur le **bouton de Fréquence** pour confirmer votre choix.
7. L'écran affichera ensuite "Alarm Source". Il vous est possible de choisir entre "Buzzer" (Ronfleur), "DAB" et "FM Radio". Tournez le **bouton de Fréquence** pour sélectionner le type d'alarme. Si vous choisissez "DAB" ou "FM Radio", vous serez réveillé par la dernière station que vous avez écoutée en mode FM.
8. L'écran affichera ensuite "Alarm Volume". Tournez le **bouton de Volume** pour régler le volume souhaité de l'alarme.
9. Appuyez sur le **bouton de Fréquence** pour confirmer votre choix.
10. Une icône d'alarme (en forme de cloche) est alors affichée à l'écran, à gauche de l'heure.

Activation et désactivation de l'alarme (possible uniquement en mode standby)

1. Pour activer l'alarme, appuyez et maintenez une pression sur la touche Info. Une icône d'alarme (en forme de cloche) est alors affichée à l'écran, à gauche de l'heure. Pour désactiver l'alarme, appuyez et maintenez de nouveau une pression sur la touche Info.
2. Pour arrêter l'alarme lorsque celle-ci retentit, appuyez simplement sur la touche ON/OFF.

SELECTION DE LA LANGUE

La radio peut être réglée de façon à ce que l'affichage soit dans la langue de votre choix.

1. Appuyez sur la touche **Menu** et tournez le **bouton de Fréquence** jusqu'à ce que "System" soit affiché à l'écran.
2. Appuyez sur le **bouton de Fréquence** et tournez ensuite celui-ci jusqu'à ce que "Language" (Langue) soit affiché à l'écran.
3. Appuyez sur le **bouton de Fréquence** pour entrer dans le menu de sélection de la langue.
4. Tournez le **bouton de Fréquence** pour sélectionner la langue souhaitée. Le réglage standard est l'anglais.
5. Appuyez sur le **bouton de Fréquence** pour confirmer votre sélection. Le menu s'affichera alors dans la langue choisie.

VERSION DU LOGICIEL

Il n'est pas possible de modifier l'affichage de la version du logiciel. Cet affichage est donné uniquement à titre d'information. Il est cependant possible de voir la version du logiciel dans le menu DAB ou FM.

1. Appuyez sur la touche **ON/OFF** pour allumer la radio.
2. Appuyez sur la touche **Source** (touche de sélection de la source audio) pour sélectionner le mode FM ou DAB.

3. Appuyez sur la touche **Menu** jusqu'à ce que l'écran affiche « Full Scan » et tournez le bouton de Fréquence jusqu'à ce que "System" soit affiché à l'écran.
4. Appuyez sur le **bouton de Fréquence** et tournez ensuite celui-ci jusqu'à ce que "SW version" (Version du logiciel) soit affiché à l'écran.
5. Appuyez sur le **bouton de Fréquence** pour voir la version du logiciel.
6. Appuyez de nouveau sur le **bouton de Fréquence** pour revenir au dernier menu et appuyez sur la touche **Menu** pour revenir au l'écran standard de la radio.

REINITIALISATION DU SYSTEME

Lorsque la radio ou l'affichage ne fonctionne pas correctement ou en l'absence d'affichage, suivez la procédure ci-dessous.

1. Appuyez sur la touche **ON/OFF** pour allumer la radio.
2. Appuyez sur la touche **Menu**.
3. Tournez le **bouton de Fréquence** jusqu'à ce que "System" soit affiché à l'écran. Appuyez sur le **bouton de Fréquence**.
4. Tournez le **bouton de Fréquence** jusqu'à ce que "Factory reset" (Réglages d'usine) soit affiché à l'écran. Appuyez sur le **bouton de Fréquence**.
5. Appuyez sur le **bouton de Fréquence** et tournez ensuite celui-ci pour sélectionner "Yes" ("Oui") ou "No" ("Non"). Si vous souhaitez réinitialiser la radio, sélectionnez "Yes". Dans le cas contraire, sélectionnez "No".
6. Appuyez sur le bouton de Fréquence pour confirmer votre sélection.
7. Une réinitialisation complète de la radio sera alors effectuée. La mémoire de stations présélectionnées sera effacée et tous les réglages personnels seront annulés. Les réglages d'usine seront ensuite restaurés. Le message "WELCOME TO DIGITAL RADIO" (BIENVENUE SUR LA RADIO NUMERIQUE) sera affiché à l'écran et la radio effectuera ensuite automatiquement un balayage de la plage de fréquences DAB et FM. L'écran affichera « Scanning » en mode DAB et « Auto » en mode FM.

En cas de perturbations provoquées par une décharge électrostatique, procédez à la réinitialisation de la radio comme décrit ci-dessus. En cas d'échec, retirez la fiche du cordon d'alimentation de la prise de courant et enlevez les piles. Rebranchez ensuite le cordon d'alimentation et réinsérez les piles dans la radio.

INFORMATIONS SUR LES ANTENNES

ANTENNE TELESCOPIQUE EN METAL

L'antenne de la radio est une longue antenne télescopique en métal.

L'antenne N'EST PAS flexible et doit être utilisée avec précaution.

Lorsque la radio est utilisée dans un environnement poussiéreux ou crasseux, il est recommandé de nettoyer de temps à autre l'antenne à l'aide d'un linge sec. Lorsque la radio est utilisée dans un environnement humide, il est recommandé, après avoir essuyé la radio et l'antenne à l'aide d'un linge sec, d'appliquer un fin film d'huile de protection (par exemple WD40) sur l'antenne, afin de prévenir la formation de rouille et la corrosion de celle-ci.

ANTENNE SOUPLE EN MATIERE SYNTHETIQUE SUPPLEMENTAIRE (FOURNIE AVEC LA RADIO DANS LA BOITE)

Vous pouvez l'utiliser comme une antenne alternative pour votre radio dans des endroits où votre antenne métallique serait trop vulnérable.

Instructions de montage: Dévissez l'antenne métallique de la radio avec précaution.

Desserrez d'abord prudemment celle-ci à l'aide d'une clé plate de 14. Tournez la clé plate dans le sens inverse des aiguilles d'une montre.

Vissez prudemment l'antenne souple sur la radio et serrez légèrement celle-ci à l'aide d'une clé plate de 14. Tournez la clé plate dans le sens des aiguilles d'une montre.

ATTENTION : Evitez de serrer trop fort l'antenne avec la clé plate au risque d'endommager la partie filetée de l'antenne.

ECLAIRAGE DE L'ECRAN

Configuration du rétro-éclairage de l'écran d'affichage LCD

1. Appuyez sur la touche **ON/OFF** pour allumer la radio.
2. Appuyez sur la touche **Menu** puis tournez le bouton du contrôle de réglage jusqu'à ce que l'écran affiche "LCD backlight" (LCD éclairage).
3. Appuyez sur le bouton de **Frequence** pour entrer dans le menu de réglage du rétro-éclairage de l'écran d'affichage LCD.
4. Tournez le bouton de **Frequence** pour sélectionner "on" afin de garder le rétro-éclairage continuellement allumé lorsque la radio fonctionne sur secteur.
5. Ou tournez le bouton de **Frequence** pour sélectionner "off" (par défaut) afin que lorsque vous utilisez la radio sur secteur, le rétro-éclairage reste allumé pendant environ 10 secondes à chaque fois que vous appuyez sur un bouton.
6. Appuyez sur le bouton de **Frequence** pour confirmer votre choix.

GARANTIE

Ce produit est garanti 2 ans.

AVERTISSEMENT : La garantie prend fin lorsque le boîtier de la radio a été ouvert ou lorsque la radio a été modifiée de quelque manière que ce soit par l'utilisateur final!

La garantie de la radio ne couvre pas :

- Les dommages et le bris résultant d'une utilisation non correcte, d'un usage abusif, d'une négligence, de modifications, d'accidents ou de réparations non autorisées.
- L'usure normale en cours d'utilisation.
- Le bris ou la courbure excessive de l'antenne télescopique en métal.

CARACTERISTIQUES TECHNIQUES

Alimentation électrique

Fonctionnement sur secteur AC 230V, 50Hz, courant alternatif

Plage de fréquences

DAB 174,928 - 239,200 MHz

FM 87.5 – 108 MHz

Autres caractéristiques

Haut-parleur 1 x Ø4"

Puissance de sortie 1 x 5W

Prise Aux-In Ø3.5 mm

Protection de l'environnement



Ce produit est fabriqué avec des pièces et des matériaux de qualité, susceptibles d'être réutilisés et recyclés. Lorsque ce produit a atteint la fin de sa vie utile, ne le jetez par conséquent pas avec les ordures ménagères ordinaires, mais confiez-le à un point de collecte et de recyclage d'appareils électriques et électroniques. Le symbole ci-contre figure à cet effet sur le produit, dans le mode d'emploi ainsi que sur l'emballage.

Veuillez-vous informer auprès des autorités communales au sujet des points de collecte les plus proches de chez vous. Aidez à protéger l'environnement en recyclant les produits usagés.



F

INHOUD

BELANGRIJKE VEILIGHEIDSINSTRUCTIES	2
BEDIENINGSELEMENTEN	3
STROOMVOORZIENING	5
EERSTE GEBRUIK	5
DAB RADIO MODUS	5
FM RADIO MODUS	8
VOORKEUZE ZENDERS	9
AUX-IN MODUS	9
LOUDNESS EN TOONREGELING (BASS/TREBLE)	10
TOONREGELING (BASS/TREBLE)	10
INSTELLEN VAN KLOK EN DATUM	10
WEKKER INSTELLEN	11
TAALINSTELLING	12
SOFTWARE VERSIE	12
SYSTEEM RESET	12
INFORMATIE OVER DE METALEN TELESCOPISCHE ANTENNE	13
VERLICHTING DISPLAY	14
GARANTIE	14
TECHNISCHE GEGEVENS	14

WAARSCHUWING DE GARANTIE VERVALT INDIEN DE BEHUIZING VAN HET APPARAAT GEOPEND IS OF INDIEN HET APPARAAT DOOR DE EINDGEBRUIKER OP ENIGERLIJ WIJZE GEMODIFICEERD IS.



LET OP: gevaar voor elektrische schok – niet openen.

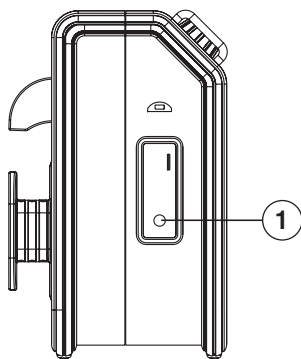
BELANGRIJKE VEILIGHEIDSINSTRUCTIES

1. Lees deze instructies.
2. Bewaar deze instructies goed.
3. Neem alle waarschuwingen in acht.
4. Volg alle aanwijzingen op.
5. Reinig het uitsluitend met een droge doek.
6. Blokkeer geen ventilatieopeningen en plaats het toestel volgens de instructies.
7. Plaats het niet in de buurt van warmtebronnen zoals verwarmingen, ventilatiekleppen, ovens en andere apparaten (incl. versterkers) die warmte afgeven.
8. Beschadig niet de ten behoeve van de veiligheid gepoolde of geaarde stekkers. Een gepoolde stekker bezit twee contacten, een is breder dan de andere. Een geaarde stekker bezit twee contacten en een derde pen voor de aarding. Het brede contact of de derde pin dienen voor uw veiligheid. Mocht de meegeleverde stekker niet in uw stopcontact passen, neem dan voor het vervangen van het verouderde stopcontact contact op met een elektricien.
9. Bescherm de stroomkabel, opdat hierop niet gelopen wordt en er geen beschadigingen of knikken optreden aan de stekker, aan het stopcontact of op de plek waar de stekker uit het toestel komt.
10. Gebruik uitsluitend de door de fabrikant aangegeven onderdelen/accessoires.
11. Gebruik het toestel uitsluitend met de door de fabrikant aangegeven of samen met het toestel gekochte wagentjes, standards, driepoten, klemmen of tafel. Wanneer u een wagen gebruikt, wees dan voorzichtig bij het bewegen van de combinatie wagen/toestel om letsel door omvallen te vermijden.
12. Koppel het toestel van de stroomvoorziening af bij onweer of wanneer het langere tijd niet wordt gebruikt.
13. Laat iedere vorm van onderhoud door gekwalificeerd personeel verrichten. Een onderhoud is noodzakelijk wanneer het toestel aan de stroomkabel of stekker beschadigd werd, wanneer er vloeistof of voorwerpen in het toestel zijn binnengedrongen, wanneer het toestel aan regen of vochtigheid was blootgesteld en wanneer het niet normaal functioneert resp. gevallen is.
14. Stel het toestel noch aan regen noch aan vochtigheid bloot om het gevaar voor brand of het risico van een elektrische schok te reduceren.
15. Verwijder de afdekking niet. In het binnenste bevinden zich geen onderdelen waarvoor een onderhoud noodzakelijk is.
16. Geen voorwerpen op het apparaat plaatsen welke een bron zijn van open vlammen.
17. Gebruik bij het gebruik in de open lucht op regenachtige dagen of bij vochtig weer uitsluitend batterijen om een elektrische schok te vermijden. Om elektrische schok te voorkomen, als de radio blootgesteld is geweest aan regen of water, dienen zowel het snoer als de stekker volledig gedroogd te worden alvorens de stekker in het stopcontact wordt gestoken.
18. De netstekker moet dicht bij het toestel en steeds toegankelijk zijn, zodat in geval van nood (bijv. om het toestel van het stroomnet te scheiden) alleen de stekker uit het stopcontact moet worden getrokken.
19. De product-informatie is te vinden op de onderzijde van het toestel.
20. Dit apparaat is voorzien van bescherming tegen spattend water (IP65).
21. In geval van storing ten gevolge van electro-statische ontlading of piekspanning, verwijder de stroombron en sluit deze daarna weer aan.
22. Om mogelijke gehoorschade te voorkomen niet op een hoog volume gedurende een lange periode luisteren



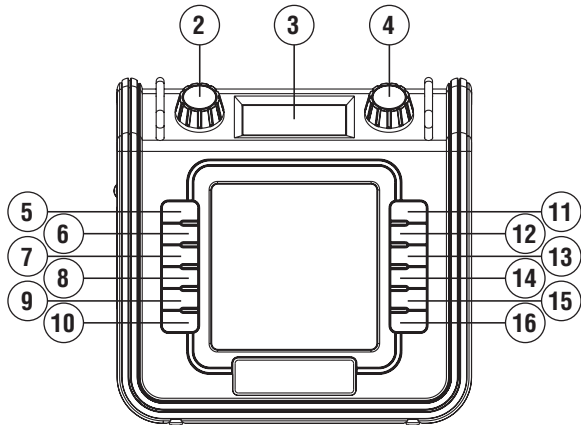
BEDIENINGSELEMENTEN

Zijkant



1. Aux-in ingang

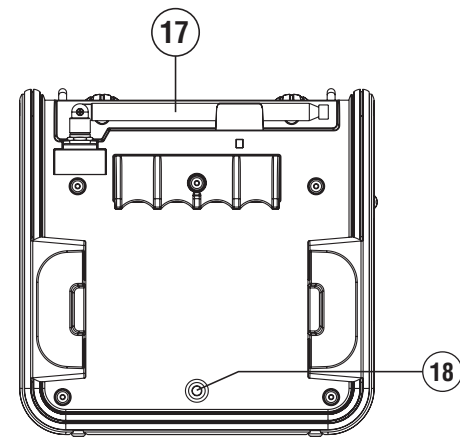
Voorzijde



2. Volume draaiknop
3. Display
4. Frequentie draaiknop
5. Aan/Uit (Standby) toets
6. Audiobron keuzetoets (Source)
7. Menu toets
8. Info toets

9. Loudness toets
10. Toonregeling toets (Tone)
11. Voorkeuze-zender 1
12. Voorkeuze-zender 2
13. Voorkeuze-zender 3
14. Voorkeuze-zender 4
15. Voorkeuze-zender 5
16. Voorkeuze-zender 6

Achterzijde



17. Telescopische antenne
18. Stroomkabel

STROOMVOORZIENING

Gebruik op netstroom

1. Voordat u de aansluitkabel met het stopcontact verbindt, dient u te controleren of de spanning correct is.
2. De opberghaken voor de stroomkabel dienen voor het opbergen van de kabel, wanneer de radio niet in gebruik is.

Opmerking: Om het toestel compleet van de netstroom af te koppelen moet de aansluitstekker volledig uit het stopcontact worden getrokken.

In geval van storing ten gevolge van electro-statische ontlading of piekspanning, verwijder de stroombron en sluit deze daarna weer aan.

EERSTE GEBRUIK VAN DE RADIO

1. Plaats de radio op een vlakke ondergrond.
2. Trek de telescopische antenne, die zich bovenop de radio bevindt, voorzichtig volledig uit en zet deze rechtop.
3. Steek de stekker in het stopcontact. De radio zal opstarten en het display toont voor een paar seconden de boodschap "Welcome To Digital Radio". De radio zal daarna automatisch beginnen met een scan op de Band III DAB-kanalen en de FM-band. Het display toont "Scanning" in de DAB-modus en "Auto" in de FM-modus.
4. De eerste 6 sterke FM zenders worden dan in het voorkeuze-geheugen gezet en de beschikbare DAB zenders worden in de zenderlijst gezet. Na deze eerste scan zal de radio zichzelf uitschakelen en de tijd en datum aangeven.
5. Als er geen signalen worden gevonden, dan zal de tijd niet worden bijgewerkt. Het kan in dit geval nodig zijn om de radio te herpositioneren op een plaats met betere ontvangst.

DAB RADIO MODUS

De radio gebruiken – DAB

1. Trek de telescopische antenne, die zich bovenop de radio bevindt, voorzichtig volledig uit en zet deze rechtop.. Druk op On/Off om de radio in te schakelen.
2. Selecteer DAB door op AUDIOBRON KEUZETOETS te drukken.
3. De eerste zender uit de lijst met gevonden zenders zal worden afgespeeld. Het display toont de naam van de zender. Als de radio al eerder is gebruikt, dan zal de laatst beluisterde zender worden geselecteerd.
4. Als er geen DAB-signalen zijn gevonden, dan zal de boodschap "No stations available" worden getoond. Het kan in dit geval nodig zijn om de radio te verplaatsen naar een plaats met betere ontvangst. U moet daarna een automatisch scan uitvoeren om zenders te vinden, raadpleeg de paragraaf "Nieuwe zenders zoeken-DAB".

Een zender selecteren– DAB

1. Druk op de On/Off knop om de radio in te schakelen. Het display toont voor een paar seconden de boodschap "Connecting" en "Playing".
2. Het display toont de naam van de huidige radiozender.
3. Draai aan de Frequentie draaiknop om door de lijst met beschikbare zenders te bladeren.
4. Als de naam van de gewenste zender op het display verschijnt, druk dan op Frequentie draaiknop om de zender te selecteren.

Opmerking: Als het display na het selecteren van een zender de melding "No stations available" toont, dan kan het nodig zijn de radio te verplaatsen naar een plaats met betere ontvangst.

Displaymodi – DAB

De radio kan in de DAB-modus verschillende informatie weergeven op het display. Druk op INFO om door de verschillende modi te bladeren.

a. Tekst	Toont bewegende tekstberichten bijv. zenderinformatie, artiest/tracknaam, telefoonnummer, etc.
b. Signaalsterkte	Toont de signaalsterkte van de radio-ontvangst. De niet-gevulde rechthoek geeft het minimaal benodigde signaalniveau aan voor ontvangst.
c. Programmatype	Toont het zendertype van de beluisterde zender bijv. Pop, Classic, Nieuws, etc.
d. Multiplexnaam	Toont de naam van de multiplex waartoe de huidige zender behoort.
e. Kanaal & frequentie	Toont het kanaalnummer en de frequentie van de huidige DAB-zender.
f. Bitrate & audioformaat	Toont de digitale audiobitrate en het audioformaat.
g. Tijd & datum	Toont de huidige tijd en datum.

Nieuwe zenders zoeken – DAB

Er kunnen van tijd tot tijd nieuwe zenders beschikbaar zijn. U kunt als volgt naar nieuwe zenders zoeken:

1. Druk in de DAB-modus op **MENU**, "Full Scan" wordt getoond op het display.
2. Druk op de Frequentie draaiknop, de radio begint met scannen op de Band III DAB-kanalen. Zodra er nieuwe zenders worden gevonden, zal de zenderteller aan de rechterkant van het display worden opgehoogd en de nieuwe zenders worden toegevoegd aan de lijst die is opgeslagen in de radio.

Handmatig afstemmen – DAB

Handmatig afstemmen is een alternatieve methode voor het zoeken naar nieuwe zenders. In plaats van de automatisch alle Band III-kanalen af te scannen, kunt u de radio ook direct op een bekend DAB-kanal afstemmen en alle multiplex in dat kanaal opslaan in de beschikbare zenderlijst.

1. Druk in de DAB-modus op **MENU** en draai aan de Frequentie draaiknop tot het LCD-display de optie “Manual tune” toont, druk daarna op de Frequentie draaiknop. Het display toont het DAB-kanal en de frequentie.
2. Draai aan de Frequentie draaiknop om het gewenste kanaal of de gewenste frequentie te selecteren en druk daarna op de Frequentie draaiknop om af te stemmen op de gekozen frequentie.
3. Als de DAB-zenders op het gekozen kanaal zijn gevonden, dan zal het display de naam van de zender tonen. Nieuwe radiozenders die zijn gevonden worden toegevoegd aan de lijst die is opgeslagen in de radio.
4. De signaalsterkteweergave toont de ontvangst van de zender. De niet-gevulde rechthoek geeft het minimaal benodigde signaalniveau aan voor ontvangst. De balkjes die de signaalsterkte weergeven nemen toe of af en geven de veranderende signaalsterkte aan wanneer u de antenne of radio herpositioneert.
5. Herhaal de stappen 1 tot 4 voor andere kanalen met nieuwe radiozenders.
6. Druk twee keer op **MENU** om handmatig afstemmen te verlaten en terug te keren naar de normale DAB-bediening.

Instellen Dynamic Range Control (DRC) – DAB

DRC kan zachte geluiden eenvoudiger hoorbaar maken wanneer de radio wordt gebruikt in een lawaaige omgeving.

1. Druk in de DAB-modus op **MENU** en draai aan de Frequentie draaiknop tot het display de optie “DRC Value” toont, druk daarna op de Frequentie draaiknop.
2. Draai aan de Frequentie draaiknop om de gewenste DRC-instelling te selecteren (standaard OFF).

DRC off	DRC is uitgeschakeld, uitgezonden DRC wordt genegeerd.
DRC high	DRC wordt ingesteld zoals verstuurd door de zender.
DRC low	DRC-niveau wordt ingesteld op 1/2 van het niveau dat is verstuurd door de zender.
3. Druk op de Frequentie draaiknop om de instelling te bevestigen. Het display keert terug naar de normale radioweergave.

Opmerking: Niet alle DAB-uitzendingen maken gebruik van de DRC-functie. Als een uitzending geen gebruik maakt van DRC, dan zal het instellen van DRC op de radio geen effect hebben.

Niet-beschikbare zenders verwijderen – DAB

Als u zich verplaatst naar een ander gebied, dan is het mogelijk dat bepaalde zenders die in de lijst staan niet langer beschikbaar zijn. Er kunnen ook van tijd tot tijd DAB-diensten zijn die stoppen met uitzenden of veranderen van locatie of frequentie. Met

deze functie voor het verwijderen van niet-beschikbare zenders kunt u niet-beschikbare DAB-zenders uit uw zenderlijst verwijderen.

1. Druk op **MENU** in de DAB-modus.
2. Draai aan de Frequentie draaiknop tot het display “Prune” toont.
3. Druk op de Frequentie draaiknop om de instelling te openen.
4. Draai aan de Frequentie draaiknop om “Yes” of “No” (standaard No) te selecteren. Selecteer “Yes” om deze functie in te schakelen indien gewenst of selecteer anders “No”.
5. Druk op de Frequentie draaiknop om de instelling te bevestigen. Het display keert terug naar het vorige menu en u kunt nu op **MENU** drukken om terug te gaan naar de normale radioweergave.

FM RADIO MODUS

Een zender zoeken -

1. Druk op de **Aan/Uit** toets om de radio in te schakelen.
2. Selecteer FM door op **DE AUDIOBRON KEUZETOETS** te drukken.
3. Als de radio eerder werd gebruikt dan speelt de laatst beluisterde zender af.
4. Druk op de **Frequentie draaiknop** om de zoekfunctie te starten. De radio zoekt en stopt onmiddellijk wanneer hij een zender met voldoende signaalsterkte vindt.
5. Na een aantal seconden zal de display de zendernaam weergeven indien er RDS informatie wordt ontvangen.
6. Om een andere zender te zoeken drukt u opnieuw op de **Frequentie draaiknop**.
7. Om zenders in tegenovergestelde richting te zoeken draait u de **Frequentie draaiknop** met de wijzers van de klok mee (voor het zoeken van lage naar hoge frequentie) of tegen de wijzers van de klok in (voor het zoeken van hoge naar lage frequentie) en drukt dan op de **Frequentie draaiknop**.
8. Wanneer het einde van het frequentiebereik is bereikt, begint de radio opnieuw te zoeken vanaf het tegenovergestelde einde van het frequentiebereik.

Manuele afstemming

1. Druk op de **Aan/Uit toets** om de radio in te schakelen.
2. Kies de FM modus door het drukken op de **Audiodron keuzetoets**.
3. Draai de **Frequentie draaiknop** voor het instellen van de gewenste FM zender. De radiofrequentie gaat in stappen van 50 kHz.
4. Draai eventueel de antenne tot u de beste ontvangst bereikt. Als de radio een RDS-zender ontvangt en de ontvangst voldoende sterk is, wordt de naam van de zender getoond op de display.
5. Wanneer het einde van het frequentiebereik is bereikt, begint de radio opnieuw te zoeken vanaf het tegenovergestelde einde van het frequentiebereik.

Instelling scangevoeligheid – FM

De radio scant normaal naar alle zenders op de FM-band, inclusief zwakke signalen. Het is echter ook mogelijk om met de automatische scanfunctie alleen naar zenders met sterke signalen te zoeken, zodat de ontvangst goed is.

1. Druk op On/Off om de radio in te schakelen
2. Selecteer de FM-band door op de Audiobron keuzetoets te drukken.
3. Druk op **MENU**, het display toont "Scan Setting".
4. Druk op de Frequentie draaiknop.
5. Draai aan de Frequentie draaiknop en selecteer "All Stations" of "Strong Station" (standaard "All Stations"). De optie "Strong Station" zorgt ervoor dat de radio alleen naar sterke signalen zoekt tijdens het scannen.
6. Druk op de Frequentie draaiknop om uw instelling te bevestigen. Het display keert terug naar de normale radioweergave.

VOORKEUZE ZENDERS

Instellen van zenders in het voorkeuze-geheugen

Deze radio beschikt over 6 voorkeuze-geheugenplaatsen

1. Druk op de Aan/Uit toets om de radio in te schakelen.
2. Kies de FM of DAB modus door het drukken op de Audiobron keuzetoets.
3. Stel de gewenste zender in.
4. Houd de gewenste voorkeuze-toets ingedrukt tot de radio piept en bijv. "P-1 saved" ("P-1 vastgelegd") aangeeft.
5. Herhaal stap 3 en 4 voor de overige voorkeuze-instellingen.
6. Zenders die reeds als voorkeuze zijn ingesteld kunnen ook op de bovenstaande manier gewijzigd worden.

Oproepen van zenders uit het voorkeuze-geheugen

1. Druk op de **Aan/Uit toets** om de radio in te schakelen.
2. Kies de FM of DAB modus door het drukken op de **Audiobron keuzetoets**.
3. Druk kort op de gewenste **voorkeuze-toets** en het display toont het voorkeuze-nummer en de zenderfrequentie

AUX-IN MODUS

Aan de zijkant achter de rubberen afdekking bevindt zich een 3,5 mm stereo **Aux-In ingang** voor het aansluiten van een extern audioapparaat zoals bijv. een MP3-speler of een Cd-speler (niet meegeleverd bij de radio).

1. Verbind een audiobron met de **Aux in ingang**.
2. Druk op de **Audiobron keuzetoets** om AUX-IN te kiezen. Het display geeft "AUX-IN" aan.
3. Speel de externe speler af.
4. Stel het volume van zowel de radio als de speler in op het gewenste luisterniveau.

5. Zorg ervoor dat de rubberen afdekking na het gebruik weer goed wordt gesloten, zodat er geen vocht of vuil in de radio kan binnendringen.
6. Als er gedurende een periode van 15 minuten geen Aux-in signaal wordt uitgezonden zal de radio zichzelf uitschakelen. In de laatste 5 minuten van deze periode zal er een timer weergegeven worden op de LCD-display.

Opmerking: Gebruik de AUX-IN ingang nooit in de regen of in een vochtige omgeving om te voorkomen dat er vocht binnendringt in de radio! Hou de rubberen afdekking altijd gesloten in deze omstandigheden.

De automatische energiemangementfunctie zal worden geactiveerd in de AUX-modus. Als er gedurende een periode van 15 minuten geen signaal * binnenkomt op de Aux-ingang, dan zal de radio automatisch naar de standby modus schakelen. De radio kan weer ingeschakeld worden door op On/Off te drukken.

* Daarnaast zal de radio door de automatische energiemangementfunctie ook naar de standby modus schakelen wanneer het signaal van het extern apparaat te zacht is en voor een periode van 15 minuten niet kan worden gedetecteerd.

Om dit te voorkomen kunt u het uitvoerniveau van het externe apparaat verhogen.

LOUDNESS EN TOONREGELING (BASS/TREBLE)

Druk op de Loudness-toets voor compensatie op de lagere en hogere geluidsfrequenties. Het effect zal het best hoorbaar zijn als de radio is ingesteld op een lager volumeniveau (Dynamic Loudness).

1. Druk op de **Loudness Toets** om Loudness in te schakelen, de display toont "Loudness On".
2. Druk nog eens op de **Loudness Toets** om Loudness uit te schakelen, de display toont "Loudness Off".

De bas (Bass) en hoge tonen (Treble) kunnen ook aan uw persoonlijke voorkeur aangepast worden.

1. Druk op de **Toonregeling Toets** (Tone).
2. Druk op de **Frequentie draaiknop** om het Bass- of Treble-niveau in te stellen en draai naar links of naar rechts om het niveau aan te passen van -5 tot +5.
3. Na het instellen gaat de display na enkele seconden vanzelf weer naar het standaard RDS weergave.

INSTELLEN VAN DE KLOK – DATUM

1. De weergegeven klok zal automatisch synchroniseren met de tijd en datum van een DAB of FM RDS zender (voor meer informatie, zie "RDS zender-service")
2. Indien u de tijd en datum manueel wilt instellen, schakel de radio dan eerst uit door op de **Aan/uit toets** te drukken.
3. Houd de **Frequentie draaiknop** 12 seconden ingedrukt tot de cijfers voor de uren op het display knipperen.

4. Draai aan de **Frequentie draaiknop** om de cijfers aan te passen en druk op de Frequentie **draaiknop** om ieder gedeelte te bevestigen.
5. Selecteer en bevestig "Synclock On" indien u de tijd en datum wilt gebruiken die meegestuurd worden met het DAB en RDS signaal. Selecteer en bevestig "Synclock Off" indien u dit niet wilt en de door uzelf manueel ingestelde tijd en datum wilt behouden.

Opmerking: Wanneer de radio losgekoppeld wordt van de netstroom zal de tijdsinstelling verloren gaan en zal deze terug moeten opgehaald worden wanneer de radio in de DAB of FM modus wordt gebruikt en een RDS signaal ontvangt.

De menu instellingen en voorkeuze zenders worden opgeslagen in het interne geheugen en gaan niet verloren wanneer de radio losgekoppeld wordt van de netstroom.

RDS zender-service

RDS (Radio Data System) is een informatiesysteem dat behalve het normale FM-radioprogramma onhoorbare digitale informatie meezendt. Wanneer de radio een RDS-zender ontvangt en de ontvangst voldoende sterk is, verschijnt de naam van de zender in de LCD display. Het kan even duren tot deze RDS informatie beschikbaar is.

Oproepen van de RDS-informatie

Wanneer u naar een FM-zender met RDS-systeem luistert, drukt u meermaals op de info toets om door de RDS-informatie te lopen. Dit functioneert alleen wanneer het niveau van de ontvangst voldoende sterk en helder is.

- | | |
|---------------------------------|-----------------------------------------------------------------------------------|
| a. Radiotekst (RT) | Geeft mededelingen van de beluisterde zender als doorlopende tekst aan. |
| b. Programma-type (PTY) | Geeft het type zender aan die u hoort, bijv. pop, klassiek, nieuwsberichten, enz. |
| c. Frequentie | Geeft de frequentie van de beluisterde zender aan |
| d. Niveau signaalsterkte (SGLV) | Geeft het ontvangen niveau van de signaalsterkte van de zender aan. |
| e. Datum en tijd | Geeft de actuele tijd en de datum aan. |

WEKKER INSTELLINGEN

De wekker kan alleen worden ingesteld wanneer de radio uitgeschakeld is (in standby modus). Wanneer er 5 seconden lang geen toetsen worden ingedrukt, verlaat de radio de instellingsmodus van de wekker en de instelling wordt gewist.

Wekker instellen (enkel mogelijk in standby modus)

1. Druk op de **Menu toets** en draai aan de **Frequentie draaiknop** tot de display "ALARM SET" toont.
2. Druk op de **Frequentie draaiknop** om uw keuze te bevestigen.
3. Draai aan de **Frequentie draaiknop** om het uur in te stellen.
4. Druk op de **Frequentie draaiknop** om te bevestigen en de cijfers van de minuten zullen nu knipperen.

5. Draai aan de **Frequentie draaiknop** om de minuten in te stellen.
6. Druk op de **Frequentie draaiknop** om te bevestigen.
7. De display zal dan "Alarm Source" tonen. U kunt kiezen tussen "Buzzer" "DAB" en "FM Radio". Draai aan de Frequentie draaiknop om een keuze te maken. Als u "DAB" of "FM Radio" kiest dan wordt u gewekt met de laatste zender waar u naar luisterde.
8. De display zal dan "Alarm Volume" tonen. Draai aan de Volume draaiknop om het gewenste volume in te stellen.
9. Druk op de **Frequentie draaiknop** om te bevestigen.
10. Er wordt nu een wekker icoontje (een bel) getoond op de display, links naast de klok.

Wekker functie in- en uitschakelen (alleen mogelijk in standby modus)

1. Om de wekker functie in te schakelen houdt u de **Info toets** ingedrukt. Vervolgens wordt er op de display een wekker icoontje getoond (een bel) links van de klok. Om de wekker functie uit te schakelen houdt u de **Info toets** opnieuw ingedrukt.
2. Om de wekker uit zetten wanneer hij afgaat drukt u simpelweg op de **Aan/Uit toets**.

TAALINSTELLING

U kunt de taalinstelling aanpassen door op de **Menu toets** te drukken en dan aan de **Frequentie draaiknop** te draaien tot dat "Language" (taal) wordt getoond op de display. Dan drukt u op de **Frequentie draaiknop** om in het taalinstellingsmenu te gaan. Vervolgens draait u aan de **Frequentie draaiknop** om een taal te selecteren en bevestigt u uw keuze door weer op de **Frequentie draaiknop te drukken**.

SOFTWARE VERSIE

De softwareversie kan niet worden veranderd is dient alleen ter referentie. U kunt de softwareversie alleen bekijken in de DAB- en FM-modus.

1. Druk op On/Off om de radio in te schakelen.
2. Druk op de Frequentie draaiknop om de FM- of DAB-modus te selecteren.
3. Druk op MENU en draai daarna aan de Frequentie draaiknop tot het display "System" toont.
4. Druk op de Frequentie draaiknop; draai aan de Frequentie draaiknop tot het display "SW version" toont.
5. Druk op de Frequentie draaiknop om de softwareversie te bekijken.
6. Druk op MENU om terug te keren naar de normale radioweergave.

SYSTEEM RESET

Als de radio niet correct werkt, er cijfers ontbreken of onjuist worden getoond op het display, voer dan de volgende procedure uit.

1. Druk op On/Off om de radio in te schakelen.
2. Druk op de Frequentie draaiknop.
3. Draai aan de Frequentie draaiknop tot het display "System" toont. Druk op de Frequentie draaiknop.
4. Draai aan de Frequentie draaiknop tot het display "Factory Reset" toont. Druk op de Frequentie draaiknop.
5. Draai aan de Frequentie draaiknop om "Yes" of "No" te selecteren. Selecteer "Yes" als u de radio wilt resetten, selecteer anders "No".
6. Druk op de Frequentie draaiknop om uw keuze te bevestigen.
7. Er wordt een volledige reset uitgevoerd. Alle voorkeurszenders en de zenderlijst worden gewist. Alle instellingen worden ingesteld op de standaardwaarden. De radio start op en het display toont voor een paar seconden de boodschap "**WELCOME TO DIGITAL RADIO**". De radio zal daarna automatisch beginnen met een scan op de Band III DAB-kanalen en de FM-band. Het display toont "Scanning" in de DAB-modus en "Auto" in de FM-modus.

In geval van storing als gevolg van elektrostatische lading; reset het product zoals hierboven beschreven om normaal gebruik te hervatten. Als u de resetprocedure zoals hierboven beschreven niet kunt uitvoeren, sluit het apparaat dan opnieuw aan op het lichtnet.

INFORMATIE OVER DE METALEN TELESCOPISCHE ANTENNE

De antenne die op de radio zit is een lange, metalen telescopische antenne. De antenne is NIET buigbaar en dient voorzichtig te worden gebruikt.

Het wordt aangeraden om, wanneer u de radio in een stoffige of vuile omgeving gebruikt, de antenne van tijd tot tijd schoon te maken met een droge doek. Wanneer u de radio in een natte of vochtige omgeving gebruikt is het aangeraden om, na het schoonmaken met een droge doek, dun een onderhoudsspray aan te brengen (zoals bijvoorbeeld WD40) om roest en corrosie te voorkomen.

ADDITIONELE FLEXIBELE ANTENNE (MEEGELEVERD IN DE DOOS)

U kunt deze flexibele antenne gebruiken in een situatie waar de metalen telescopische antenne te kwetsbaar is.

Montage instructie

Schroef de metalen antenne van de radio af. Deze eerst voorzichtig losmaken met een steeksleutel (maat 14) – draairichting "tegen de klok in". Schroef de flexibele antenne er voorzichtig op en zet hem zachtjes vast met een steeksleutel (maat 14) – draairichting "met de klok mee".

LET OP: de antennes niet overmatig vastzetten met de steeksleutel om te voorkomen dat schroefdraad van de antennes afbreekt of beschadigd.

VERLICHTING DISPLAY

LCD display verlichting instellen

1. Druk op **On/Off** om de radio in te schakelen.
2. Druk op **Menu**, en draai daarna aan **Frequentie draaiknop** tot "LCD backlight" op de display verschijnt.
3. Druk op **Frequentie draaiknop** om toegang te krijgen tot het LCD display verlichting menu.
4. Draai aan **Frequentie draaiknop** om "on" te selecteren, deze instelling laat de LCD display verlichting altijd aan wanneer de radio is aangesloten op het stroomnet.
5. Of draai aan **Frequentie draaiknop** om "off" te selecteren (standaard), met deze instelling blijft de LCD display verlichting 10 seconden aan nadat een knop is ingedrukt wanneer deze is aangesloten op het stroomnet.
6. Druk op **Frequentie draaiknop** om de keuze te bevestigen.

GARANTIE

U heeft op dit product 2 jaar beperkte garantie.

WAARSCHUWING ! De garantie vervalt zodra de behuizing van de radio is geopend of wanneer er veranderingen aan de radio zijn gemaakt !

De garantievoorwaarden van deze radio bieden geen dekking voor het volgende:

- Schade veroorzaakt door verkeerd gebruik, misbruik, verwaarlozing, wijzigingen, ongelukken of niet-goedgekeurde reparaties.
- Normale slijtage.
- Het breken of buigen van de metalen telescopische antenne.

TECHNISCHE GEGEVENS

Stroombron

Gebruik op netstroom AC 230V, 50Hz, wisselstroom

Frequentiebereik

DAB 174,928 – 239,200 MHz

FM band 87.5 – 108 MHz

Specificaties

Luidspreker 1 x Ø4 inch
 Uitgangsvermogen 1 x 5W
 Aux in ingang Ø3.5 mm

Opmerking over milieubescherming:



Dit product werd van kwalitatief hoogwaardige onderdelen en materialen vervaardigd die opnieuw gebruikt en gerecycled kunnen worden. Verwijder dit product daarom aan het eind van zijn leven niet met het normale huisvuil. Breng het naar een verzamelplaats voor het recyclen van elektronische en elektrische apparaten. Hierop wordt door dit symbool op het product, in de gebruikershandleiding en op de verpakking gewezen. Informeer u over verzamelplaatsen bij de gemeentelijke instanties. Help door het recyclen van niet meer te gebruiken producten mee aan de bescherming van het milieu



INHALT

WICHTIGE SICHERHEITSHINWEISE	2
BEDIENELEMENTE	3
SPANNUNGSVERSORGUNG	5
ERSTE BENUTZUNG	5
DAB-RADIO MODUS	5
UKW-RADIO MODUS	8
LIEBLINGSENDER	9
AUX-IN MODUS	10
LOUDNESS-FUNKTION	10
KLANGSTEUERUNG (BÄSSE/HÖHEN)	11
DATUM UND UHRZEIT EINSTELLEN	11
ALARMEINSTELLUNGEN	12
SPRACHE EINSTELLEN	13
SOFTWARE-VERSION	13
SYSTEMRÜCKSTELLUNG	13
HINWEISE ZUR ANTENNES	14
ZUSÄTZLICHE FLEXIBLE ANTENNE (IM LIEFERUMFANG ENTHALTEN)	14
HINTERGRUNDBELEUCHTUNG	14
GARANTIE	15
SPEZIFIKATIONEN	15

WARNUNG! DIE GARANTIE VERFÄLLT, WENN DAS GERÄTEGEHÄUSE GEÖFFNET WIRD ODER VERÄNDERUNGEN AM GERÄT VORGENOMMEN WERDEN!



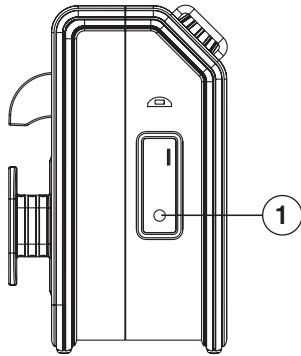
WICHTIGE SICHERHEITSHINWEISE

1. Lesen Sie sich diese Anleitung durch.
2. Bewahren Sie diese Anleitung auf.
3. Beachten Sie alle Warnhinweise.
4. Befolgen Sie die Anweisungen.
5. Benutzen Sie dieses Gerät nicht in der Nähe von Wasser.
6. Nur mit einem trockenem Tuch reinigen.
7. Blockieren Sie keine der Ventilationsöffnungen. Stellen Sie das Gerät entsprechend der Anweisungen auf.
8. Stellen Sie das Gerät nicht in der Nähe von Hitzequellen, wie z. B. Heizungen, Herden oder anderen Geräten die Hitze produzieren (z. B. Verstärker) auf.
9. Wenn Ihr Gerät über einen polarisierten oder geerdeten Stecker verfügt, machen Sie auf keinen Fall diese Sicherheitsfunktion unbrauchbar. Ein polarisierter Stecker hat zwei Flügel, bei denen einer breiter als der andere ist. Verfügt der Stecker über eine Erdung, so ist ein dritter Erdungsflügel vorhanden. Der breite und der Erdungsflügel sind eingebaute Sicherheitsvorrichtungen. Wenn der Netzstecker Ihres Geräts nicht in Ihre Steckdose passt, wenden Sie sich bitte an einen ausgebildeten Elektriker.
10. Verwenden Sie lediglich vom Hersteller angegebenes Zubehör.
11. Das Gerät darf nur dann mit Wagen, Gestellen, Dreifüssen, Halterungen oder Tischen verwendet werden, wenn diese vom Hersteller entsprechend angegeben wurden oder zusammen mit dem Gerät verkauft wurden. Wenn ein Wagen benutzt wird, muss darauf geachtet werden, dass das Gerät nicht zusammen mit dem Wagen umkippt und Verletzungen verursacht.
12. Ziehen Sie bei Gewittern oder bei längerer Nichtbenutzung den Stecker aus der Steckdose.
13. Wenden Sie sich im Wartungsfall nur an ausgebildetes Wartungspersonal. Das Gerät muss gewartet bzw. repariert werden, nachdem es in irgendeiner Weise beschädigt wurde, wie z. B. bei Beschädigung des Netzkabels, nachdem Flüssigkeiten über das Gerät gegossen wurden oder Gegenstände in das Gerät gelangt sind, es herunter gefallen ist, nicht auf normale Weise funktioniert oder Feuchtigkeit ausgesetzt wurde.
14. Um Feuer und elektrischen Schlägen vorzubeugen, vermeiden Sie es das Gerät Regen oder Feuchtigkeit auszusetzen.
15. Nicht das Gehäuse öffnen. Es befinden sich im Inneren des Geräts keine Teile die vom Benutzer gewartet werden können.
16. Gegenstände mit offenen Flammen dürfen nicht auf das Gerät gestellt werden.
17. Bei der Verwendung im Freien, sollten Sie das Gerät an regnerischen oder nassen Tagen nur im Batteriebetrieb benutzen, um Stromschläge zu vermeiden. "Wenn das Radio Regen oder Feuchtigkeit ausgesetzt war, so müssen Anschlusskabel und Stecker zur Vermeidung eines elektrischen Schlages vollständig getrocknet werden, bevor dieses mit einer Steckdose verbunden wird."
18. Der Netzstecker muss in der Nähe des Geräts und in Notsituationen leicht erreichbar bleiben. Um das Gerät von der Stromversorgung abzutrennen, brauchen Sie dann nur den Netzstecker aus der Steckdose herauszuziehen.
19. Das Typenschild befindet Sie auf der Unterseite des Geräts
20. Dieses Gerät ist gegen Spritzwasser (IP65) geschützt.
21. Bei Fehlfunktionen aufgrund elektrostatischer Entladung ziehen Sie vorübergehend den Netzstecker.
22. Um mögliche Gehörschäden zu vermeiden, setzen Sie sich nicht über längere Zeiträume hohen



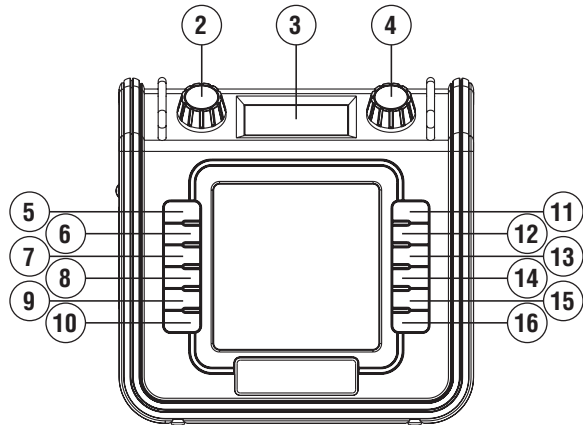
BEDIENELEMENTE

SEITENANSICHT



1. AUX-Eingang

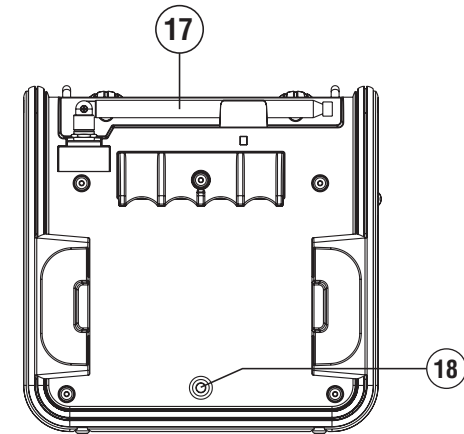
VORDERANSICHT



2. Lautstärke
3. Display
4. Senderwahl
5. Ein/Aus (Stand-by)
6. Signalquelle
7. Menü
8. Info

9. Loudness
10. Tone (Klang)
11. Senderspeicher 1
12. Senderspeicher 2
13. Senderspeicher 3
14. Senderspeicher 4
15. Senderspeicher 5
16. Senderspeicher 6

RÜCKSEITENANSICHT



17. Teleskopantenne
18. Netzkabel

SPANNUNGSVERSORGUNG

Netzbetrieb

1. Vor dem Anschluss des Netzkabels an der Steckdose vergewissern Sie sich, dass Ihre Netzspannung mit den Angaben auf dem Typenschild übereinstimmt.
2. Das Netzkabel können Sie bei Nichtgebrauch aufwickeln.

Hinweis:

Zum Abtrennen des Geräts vom Stromnetz muss der Netzstecker gezogen werden. Bei Fehlfunktionen aufgrund elektrostatischer Entladung ziehen Sie vorübergehend den Netzstecker.

ERSTE BENUTZUNG

1. Stellen Sie das Gerät eben auf.
2. Ziehen Sie die Teleskopantenne oben auf dem Gerät vorsichtig aus. Richten Sie die Antenne senkrecht aus.
3. Schließen Sie das Netzkabel an eine Steckdose (AC) an. Das Radio wird eingeschaltet und im Display erscheint einige Sekunden lang die Anzeige "Welcome to Digital Radio". Das Radio sucht dann automatisch nach Sendern der Band III DAB und UKW Frequenzbänder. Die Anzeige "Scanning" erscheint im DAB-Modus und "Auto" im UKW-Modus.
4. Nach dem Scan werden die 6 stärksten UKW-Sender als Favorit gespeichert und die verfügbaren DAB-Sender erscheinen in der Senderliste. Das Radio geht nun in den Standby-Modus über und im Display werden die aktualisierte Uhrzeit und das Datum angezeigt.
5. Werden keine Signale gefunden, wird die Uhrzeit nicht aktualisiert. Stellen Sie das Radio gegebenenfalls an einen anderen Ort mit besserem Empfang.

DAB-RADIO MODUS

Radiobetrieb – DAB

1. Ziehen Sie die Teleskopantenne oben auf dem Gerät vorsichtig aus. Richten sie die Antenne senkrecht aus. Drücken Sie Ein-/Aus, um das Radio einzuschalten.
2. Stellen Sie mit der Taste Signalquelle das Frequenzband DAB ein.
3. Der erste gefundene Sender der Senderliste wird wiedergegeben. Im Display erscheint der Sendername. Falls Sie das Radio bereits früher verwendet haben, schaltet das Gerät den zuletzt angehörten Sender ein.
4. Werden keine DAB-Signale empfangen, erscheint im Display die Anzeige "No stations available". Stellen Sie das Gerät gegebenenfalls an einen anderen Ort mit besserem Empfang. Führen Sie dann eine automatische Sendersuche durch, siehe Abschnitt "Neue Sender auffinden – DAB"

Sender einstellen - DAB

1. Schalten Sie das Radio mit der Taste Ein-/Aus ein. Im Display erscheinen einige Sekunden lang die Anzeigen "Connecting" und "Playing".
2. Im Display wird der Name des aktuellen Senders angezeigt.
3. Drehen Sie den Drehknopf für die Senderwahl, um durch die Liste der verfügbaren Sender zu scrollen.
4. Sobald der gewünschte Sender im Display erscheint, drücken Sie den Drehknopf für die Senderwahl, um den Sender wiederzugeben.

Hinweis: Falls nach der Auswahl eines Senders im Display die Anzeige „No stations available“ erscheint, ist es eventuell erforderlich, das Radio an einen anderen Ort mit besserem Empfang zu stellen.

Anzeigeoptionen – DAB

Im DAB-Modus kann das Radio eine Vielzahl von Informationen anzeigen. Drücken Sie die Taste INFO, um durch die unterschiedlichen Anzeigeoptionen zu scrollen.

- | | |
|--------------------------|-----------------------------------------------------------------------------------------------------------------------------------------------------------|
| a. Lauftext | Anzeige von Lauftexten, z.B. Senderinfos, Interpret/ Titelname, Hotline, usw. |
| b. Signalstärke | Anzeige der aktuellen Signalstärke. Das leere Rechteck weist auf die Mindestsignalstärke hin, die für einen zufriedenstellenden Empfang erforderlich ist. |
| c. Programmtyp | Anzeige des aktuellen Sendertyps, z.B. Pop, Klassik, Nachrichten, usw. |
| d. Multiplex-Name | Anzeige des Multiplex-Namens, zu dem der aktuelle eingestellte DAB-Senders. |
| e. Sender & Frequenz | Anzeige der Sendernummer und Frequenz des aktuell eingestellten DAB-Senders. |
| f. Bitrate & Audioformat | Anzeige von digitaler Audio-Bitrate und Audioformat. |
| g. Uhrzeit & Datum | Anzeige von aktueller Uhrzeit und Datum. |

Neue Sender auffinden - DAB

Von Zeit zu Zeit wird es neue Sender geben. Suchen Sie Sender wie folgt:

1. Drücken Sie im DAB-Modus die Taste Menü. Im Display erscheint die Anzeige „Full scan“.
2. Drücken Sie den Drehknopf für Senderwahl. Das Radio führt einen Scan aller Band III DAB-Kanäle durch. Wenn neue Sender gefunden werden, erhöht sich der Zähleranzeige rechts im Display und die neuen gefunden Sender werden der Senderliste des Radios hinzugefügt.

Manuelle Sendersuche – DAB

Alternativ haben Sie die Möglichkeit, manuell nach Sendern zu suchen. Anstatt das gesamte Band III automatisch zu scannen, können Sie einen Ihnen bekannten DAB-Sender direkt einstellen und alle mit diesem Sender verfügbaren Multiplex-Namen in der Senderliste speichern.

1. Drücken Sie im DAB-Modus die Taste Menü und drehen Sie den Drehknopf für Senderwahl, bis im Display die Anzeige "Manual Tuning" erscheint. Drücken Sie dann Tuning. Im Display werden der DAB-Sender und die Frequenz angezeigt.
2. Drehen Sie den Drehknopf für Senderwahl, um den gewünschten Kanal oder die Frequenz zu suchen. Drücken Sie den Drehknopf für Senderwahl, um den ausgewählten Kanal einzuschalten.
3. Wenn auf dem eingestellten Kanal ein DAB-Sender verfügbar ist, wird dessen Name im Display angezeigt. Alle neu gefundenen Sender werden der Senderliste des Radios hinzugefügt.
4. Die im Display angezeigte Signalstärke spiegelt die Empfangsqualität des Senders wider. Das leere Rechteck weist auf die Mindestsignalstärke hin, die für einen zufriedenstellenden Empfang erforderlich ist. Wenn Sie die Antenne ausrichten oder das Radio umstellen, verändert sich die Signalanzeige mit der Signalstärke.
5. Wiederholen Sie die Schritte 1 bis 4, um weitere Kanäle zu suchen.
6. Drücken Sie die Taste Menü zweimal, um die manuelle Sendersuche zu beenden und zum normalen DAB-Betrieb zurückzukehren.

Dynamikbereich-Einstellungen (DRC) – DAB

Die Einstellung des Dynamikbereichs kann leise Töne besser hörbar machen, wenn Sie das Radio in einer lauten Umgebung benutzen.

1. Drücken Sie im DAB-Modus die Taste Menü und drehen Sie den Drehknopf für Senderwahl, bis im Display die Anzeige "DRC Value" erscheint. Drücken Sie dann auf den Drehknopf für Senderwahl.
2. Drehen Sie den Drehknopf für Senderwahl, um die gewünschte DRC-Einstellung auszuwählen (OFF ist die Standardeinstellung).
DRC off DRC ist deaktiviert, übertragene DRC-Einstellung wird ignoriert.
DRC high DRC ist aktiviert und entspricht der Einstellung der Sendung.
DRC low DRC beträgt ½ der Einstellung der Sendung.
3. Drücken Sie den Drehknopf für Senderwahl, um Ihre Einstellungen zu bestätigen. Das Display kehrt zu normaler Anzeige zurück.

Hinweis: Nicht alle DAB-Sendungen unterstützen die DRC-Funktion. Bei Sendungen, die DRC nicht unterstützen, sind die DRC-Einstellungen des Radios ohne Effekt.

Sender löschen – DAB

Falls Sie umziehen, werden einige der Sender in der Liste möglicherweise nicht mehr empfangen. Einige DAB-Dienste werden im Laufe der Zeit auch aufgegeben oder ändern ihren Standort oder ihre Frequenz. Zum Entfernen solcher DAB-Sender von der Senderliste können Sie diese DAB-Sender löschen.

1. Drücken Sie im DAB-Modus die Taste Menü.
2. Drehen Sie den Drehknopf für Senderwahl, bis im Display "Prune" erscheint.
3. Drücken Sie den Drehknopf für Senderwahl, um die Einstellung zu öffnen.
4. Drehen Sie den Drehknopf für Senderwahl zur Auswahl von "Yes" oder "No" (No ist Standardeinstellung).
5. Drücken Sie den Drehknopf für Senderwahl zum Bestätigen Ihrer Einstellung. Das Display kehrt zum letzten Menü zurück. Drücken Sie die Taste Menü, um zur normalen Radioanzeige zurückzukehren.

UKW-RADIO MODUS

Sendersuche

1. Schalten Sie das Radio mit der Taste **Ein-/Aus** ein.
2. Drücken Sie **Signalquelle**, um den UKW-Radio Modus zu wählen.
3. Wurde das Radio zuvor bereits benutzt, so stellt es sich auf den zuletzt gehörten Sender ein.
4. Zur Sendersuche drücken Sie den **Drehknopf für Senderwahl**. Die Sendersuche wird automatisch unterbrochen, wenn ein Sender mit ausreichender Signalstärke gefunden wird.
5. Nach einigen Sekunden wird das Display aktualisiert und zeigt den Sendernamen an, sofern RDS-Informationen empfangen werden.
6. Zum Auffinden weiterer Sender drücken Sie erneut den **Drehknopf für Senderwahl**.
7. Zur Sendersuche in entgegengesetzter Richtung drehen Sie den Drehknopf für die Senderwahl nach rechts (Sendersuche von niedriger Frequenz zu hoher Frequenz) oder nach links (Sendersuche von hoher Frequenz zu niedriger Frequenz) und drücken Sie dann den **Drehknopf für die Senderwahl**.
8. Am Ende des Wellenbandes setzt das Radio die Sendersuche vom entgegengesetzten Ende des Wellenbandes fort.

Manuelle Senderwahl

1. Schalten Sie das Radio mit der Taste **Ein-/Aus** ein.
2. Drücken Sie **Signalquelle**, um den UKW-Radio Modus zu wählen.
3. Drehen Sie den **Drehknopf für die Senderwahl**, um einen Sender zu suchen. Die Frequenzschritte des Radios betragen 50 kHz.
4. Richten Sie die Antenne für besten Empfang aus. Bei ausreichender Signalstärke und Empfang von RDS-Informationen wird der Sendername angezeigt.
5. Am Ende des Wellenbandes setzt das Radio die Sendersuche vom entgegengesetzten Ende des Wellenbandes fort.

Empfindlichkeit der Sendersuche - UKW

Das Radio sucht normalerweise alle UKW-Sender einschließlich solcher mit schwächerem Signal. Sie können die automatische Sendersuche jedoch auch benutzen, um nur Sender zu finden, deren Signal stark genug für einen guten Empfang ist.

1. Schalten Sie das Radio mit der Taste **Ein-/Aus** ein.
2. Drücken Sie **Signalquelle**, um den UKW-Radio Modus zu wählen.
3. Drücken Sie Menü. Im Display erscheint "Scan setting"
4. Drücken Sie den Drehknopf für die Senderwahl.
5. Drehen Sie den Drehknopf für die Senderwahl zur Auswahl von "All stations" oder "Strong stations" ("All stations" ist die Standardeinstellung). Mit der Option "Strong station" sucht das Radio nur nach Sendern mit starkem Signal.
6. Drücken Sie den Drehknopf für die Senderwahl zur Bestätigung Ihrer Einstellungen. Das Display kehrt zur normalen Radioanzeige zurück.

LIEBLINGSENDER

Speichern von Sendern

Es stehen 6 Speicherplätze zur Verfügung.

1. Schalten Sie das Radio mit der Taste **Ein-/Aus** ein.
2. Drücken Sie **Signalquelle** zur Auswahl des gewünschten Frequenzbands.
3. Stellen Sie den gewünschten Sender ein.
4. Halten Sie die Taste des gewünschten Senderspeichers gedrückt, bis das Radio einen Signalton abgibt und in der Anzeige zum Beispiel, "P-1 saved" erscheint.
5. Wiederholen Sie die Schritte 3 und 4 für weitere Senderspeicher.
6. Gespeicherte Sender können überschrieben werden.

Senderspeicher aufrufen

1. Schalten Sie das Radio mit der Taste **Ein-/Aus** ein.
2. Drücken Sie **Signalquelle** zur Auswahl des gewünschten Frequenzbands.
3. Drücken Sie die Taste für den gewünschten Senderspeicher, im Display werden Frequenz und Senderspeichernummer angezeigt.

AUX-IN MODUS

Auf der Seite des Geräts befindet sich ein 3,5 mm Stereo-AUX-Eingang unter einer Gummikappe, an dem Sie ein externes Audiogerät wie MP3-Player oder CD-Player anschließen können (gehört nicht zum Lieferumfang).

1. Schließen Sie ein externes Gerät am AUX-Eingang an.
2. Drücken Sie **Signalquelle**, um AUX zu wählen. Im Display wird "AUX-IN" angezeigt.
3. Starten Sie die Wiedergabe auf dem externen Player.
4. Stellen Sie die Lautstärke für Player und Gerät ein.
5. Nach Gebrauch schließen Sie wieder die Gummikappe, damit kein Staub und keine Feuchtigkeit in das Gerät eindringen.
6. Liegt länger als 15 Minuten kein AUX-Eingangssignal an, so schaltet sich das Gerät aus. Während der letzten 5 Minuten wird im Display ein Countdown angezeigt.

Hinweis: Benutzen Sie den AUX-Eingang nicht im Regen oder in Feuchter Umgebung, damit keine Feuchtigkeit in das Gerät eindringt. Halten Sie in diesem Fall die Gummikappe geschlossen.

Im AUX-Modus wird der automatische Stromsparmodus aktiviert. Erfolgt am Aux-Eingang innerhalb von 15 Minuten keine Signaleingabe*, schaltet das Radio automatisch den Standby-Modus ein. Drücken Sie die Ein-/Aus Taste, um das Gerät wieder einzuschalten.

* Der Standby-Modus wird auch dann aktiviert, wenn das eingehende Signal vom externen Gerät zu schwach ist und vom Stromsparmodus über einen Zeitraum von 15 Minuten nicht erkannt wird. Um dies zu verhindern, erhöhen Sie den Ausgangspegel des externen Geräts entsprechend, um erkannt zu werden.

LOUDNESS-FUNKTION

Die Loudness-Funktion ermöglicht einen Ausgleich für tiefe und hohe Frequenzen. Der Effekt ist besser hörbar bei geringer Lautstärke (dynamische Loudness)

1. Drücken Sie die **Loudness-Taste**, um die Loudness zu aktivieren; im Display wird "Loudness on" angezeigt.
2. Drücken Sie erneut die **Loudness-Taste**, um die Loudness zu deaktivieren; im Display wird "Loudness off" angezeigt.

KLANGSTEUERUNG (BÄSSE/HÖHEN)

Der Klang (Bässe/Höhen) kann wie folgt eingestellt werden.

1. Drücken Sie die **Tone-Taste** (Klang).
2. Drücken Sie den **Drehknopf für die Senderwahl**, um zwischen Bässen (Bass) und Höhen (Treble) umzuschalten und drehen Sie den Knopf dann nach links oder rechts, im den jeweiligen Pegel zwischen -5 und +5 einzustellen.
3. Nach einigen Sekunden kehrt das Gerät zur normalen Anzeige zurück und setzt die Wiedergabe fort.

DATUM UND UHRZEIT EINSTELLEN

1. Uhrzeit und Datum werden automatisch über den DAB oder UKW RDS-Sender synchronisiert (sofern verfügbar, siehe „RDS-Informationen“).
2. Zur manuellen Einstellung von Uhrzeit und Datum schalten Sie das Gerät mit **Ein/Aus** aus.
3. Halten Sie den **Drehknopf für die Senderwahl** für ca. 12 Sekunden gedrückt, bis die Uhrzeit blinkt.
4. Drehen Sie den **Drehknopf für die Senderwahl**, um die Einstellung vorzunehmen, dann drücken Sie den Drehknopf für die Senderwahl, um jeden Schritt der Einstellung zu bestätigen.
5. Wählen und bestätigen Sie „Synclock Ein“, wenn die Uhrzeit über das DAB oder RDS Signal synchronisiert werden soll. Wählen und bestätigen Sie „Synclock Aus“, wenn die Aktualisierung der Uhrzeit über das DAB oder RDS-Signal deaktiviert werden soll und Sie Datum und Uhrzeit lieber selbst einstellen.

Hinweis: Beim Ziehen des Netzsteckers geht die Zeiteinstellung verloren und muss erst wieder durch das RDS-Signal beim nächsten Einschalten des Radios im UKW-Modus empfangen werden. Menüeinstellungen und Senderspeicher befinden sich im internen Speicher und gehen beim Ziehen des Netzsteckers (oder bei Netzausfall) nicht verloren.

RDS-Informationen

RDS (Radio Data System) ist ein Informationssystem zur Übertragung von Textnachrichten auf einem UKW-Sender. Bei Empfang eines RDS-Senders und ausreichender Signalstärke wird der Sendername angezeigt. Es kann eine Momentdauer dauern, bis die RDS-Informationen verfügbar sind.

RDS-Informationen aufrufen

Beim Hören eines UKW-Senders mit RDS-Informationen drücken Sie mehrfach Info, um die Informationen zu durchlaufen. Diese Funktion haben Sie nur bei klarem Empfang mit ausreichender Signalstärke.

- | | |
|------------------------|-------------------------------------------------------------------------|
| a. Radiotext (RT) | Anzeige von Meldungen als Lauftext. |
| b. Programmtyp (PTY) | Anzeige des Programmtyps, beispielsweise Pop, Klassik, Nachrichten usw. |
| c. Frequenz | Anzeige der Frequenz des aktuell eingestellten Senders. |
| d. Signalstärke (SGLV) | Anzeige der Signalstärke. |
| e. Datum und Uhrzeit | Anzeige von Datum und Uhrzeit |

ALARMEINSTELLUNGEN

Die Alarmeinstellungen können nur im ausgeschalteten Zustand geändert werden (Stand-by-Modus). Wird für 5 Sekunden keine Taste gedrückt, so verlässt das Gerät das Alarmeinstellungsmenü und die Einstellungen werden verworfen.

Weckalarm einstellen (nur im Stand-by-Modus)

1. Drücken Sie einmal **Menü** und drehen Sie den **Drehknopf für die Senderwahl**, bis „Alarm set“ angezeigt wird.
2. Drücken Sie den **Drehknopf für die Senderwahl** zur Eingabe; die Stunden blinken im Display.
3. Drehen Sie den **Drehknopf für die Senderwahl**, um die Stunden der Weckzeit einzustellen.
4. Drücken Sie den **Drehknopf für die Senderwahl** zur Bestätigung; die Minuten blinken.
5. Drehen Sie den **Drehknopf für die Senderwahl**, um die Minuten der Weckzeit einzustellen.
6. Drücken Sie den **Drehknopf für die Senderwahl** zur Bestätigung.
7. Im Display wird „Alarmquelle“ angezeigt. Wählen Sie zwischen „Summer“, „DAB Radio“ und „UKW Radio“. Drehen Sie den Drehknopf für die Senderwahl zur Auswahl. Bei Auswahl von „UKW Radio“ werden Sie mit dem zuletzt eingestellten Sender geweckt.
8. Anschließend wird „Alarmlautstärke“ angezeigt. Drehen Sie den **Lautstärkeregler**, um die Alarmlautstärke einzustellen.
9. Drücken Sie den **Drehknopf für die Senderwahl** zur Bestätigung.
10. Das Alarmsymbol (Glocke) wird links neben der Uhrzeit angezeigt.

Weckalarm ein- und ausschalten (nur im Stand-by-Modus)

1. Zum Einschalten des Weckalarms halten Sie **Info** gedrückt, das Alarmsymbol (Glocke) wird links neben der Uhrzeit angezeigt.
Zum Ausschalten halten Sie erneut Info gedrückt.
2. Zum Ausschalten des Weckalarms drücken Sie **Ein/Aus**.

SPRACHE EINSTELLEN

Mit Menü und dann dem Drehknopf für die Senderwahl können Sie die Sprache einstellen, wenn im Display „Language“ angezeigt wird. Dann drehen Sie den Drehknopf für die Senderwahl, um die Sprachen zu durchlaufen; drücken Sie den Drehknopf für die Senderwahl, um Ihre Sprache zu wählen.

SOFTWARE-VERSION

Die Anzeige der Software-Version kann nicht geändert werden und dient nur Ihrer Information. Die Software-Version lässt sich nur in den Modi DAB und UKW anzeigen.

1. Schalten Sie das Radio mit der Taste Ein-/Aus ein.
2. Drücken Sie Signalquelle, um den UKW oder DAB-Radio Modus zu wählen.
3. Drücken Sie Menü, und drehen Sie den Drehknopf für die Senderwahl zur Auswahl von „System“.
4. Drücken Sie den Drehknopf für die Senderwahl. Drehen Sie den Drehknopf für die Senderwahl, bis im Display die Anzeige „SW version“ erscheint.
5. Drücken Sie den Drehknopf für die Senderwahl, um die Software-Version anzuzeigen.
6. Drücken Sie Menü, um zu normalen Radioanzeige zu gelangen.

SYSTEMRÜCKSTELLUNG

Falls Ihr Radio nicht ordnungsgemäß funktioniert oder Anzeigen im Display fehlen bzw. unvollständig sind, führen Sie bitte wie folgt eine Rückstellung durch.

1. Schalten Sie das Radio mit der Taste Ein-/Aus ein.
2. Drücken Sie den Drehknopf für die Senderwahl.
3. Drehen Sie den Drehknopf für die Senderwahl, bis im Display die Anzeige „System“ erscheint. Drücken Sie den Drehknopf für die Senderwahl.
4. Drehen Sie den Drehknopf für die Senderwahl, bis im Display die Anzeige „Factory reset“ erscheint. Drücken Sie den Drehknopf für die Senderwahl.
5. Drehen Sie den Drehknopf für die Senderwahl, bis im Display die Anzeige „Yes“ oder „No“ erscheint. Wählen Sie „Yes“ für die Rückstellung oder „No“, falls Sie das System nicht zurückstellen möchten.
6. Drücken Sie den Drehknopf für die Senderwahl, um Ihre Auswahl zu bestätigen.
7. Das System führt eine vollständige Rückstellung durch. Alle Favoriteneinstellungen und die Senderliste werden gelöscht. Alle Einstellungen werden auf die Werkseinstellungen zurückgesetzt. Im Display erscheint einige Sekunden lang die Anzeige „WELCOME TO DIGITAL RADIO“ und dann führt das Radio einen Scan nach Band III DAB-Kanälen und UKW-Sendern durch. Im Display erscheint die Anzeige „Scanning“ für DAB-Kanäle und „Auto“ für UKW-Sender.

Bei Fehlfunktion aufgrund elektrostatischer Entladung führen Sie eine Rückstellung

wie oben beschrieben durch, um den normalen Betrieb wiederherzustellen. Falls Sie die Rückstellung wie oben beschrieben nicht durchführen können, ist es erforderlich, den Netzstecker zu ziehen und anschließend wieder anzuschließen.

HINWEISE ZUR ANTENNES

Die Antenne ist ein langer teleskopischer Metallstab.

Die Antenne ist NICHT flexibel und kann nicht gebogen werden, daher sollte sie vorsichtig behandelt werden.

Bei Benutzung in staubiger Umgebung reinigen Sie die Antenne von Zeit zu Zeit mit einem trockenen Tuch, um sie in einem guten Zustand zu halten. Bei Benutzung in feuchter Umgebung sollten Sie nach dem ersten Reinigen etwas Öl auftragen (z.B. WD40), um Rost und Korrosion zu vermeiden und einen normalen Betrieb zu gewährleisten.

ZUSÄTZLICHE FLEXIBLE ANTENNE (IM LIEFERUMFANG ENTHALTEN)

Für das Gerät ist eine flexible Kunststoffantenne im Lieferumfang enthalten.

Montageanleitung

Schrauben Sie die Metall Antenne vom Radio ab.

Diese erst vorsichtig mit einem Maulschlüssel 14mm lösen – Drehrichtung „gegen Uhrzeigersinn“. Schrauben Sie die flexible Kunststoffantenne vorsichtig an und befestigen sie vorsichtig mit einem Maulschlüssel 14mm – Drehrichtung „in Uhrzeigersinn“.

ACHTUNG: Die Antenne nicht zu stark mit dem Maulschlüssel befestigen, um zu vermeiden, dass das Gewinde der Antenne abbricht oder beschädigt wird.

HINTERGRUNDBELEUCHTUNG

Konfiguration der LCD-Hintergrundbeleuchtung

1. Schalten Sie das Radio mit der **Taste Ein-/Aus** ein.
2. Drücken Sie **Menü**, und drehen Sie dann **den Drehknopf für die Senderwahl**, bis im Display „LCD backlight“ erscheint.
3. Drücken Sie **den Drehknopf für die Senderwahl**, um das Menü für die Anpassung der LCD-Hintergrundbeleuchtung aufzurufen.
4. Drehen Sie **den Drehknopf für die Senderwahl**, um „on“ auszuwählen, damit die Hintergrundbeleuchtung immer aktiv ist, wenn das Radio per Netzbetrieb läuft.
5. Oder wählen Sie mit dem **den Drehknopf für die Senderwahl**-regler „off“ (Standard), so dass die Hintergrundbeleuchtung 10 Sekunden lang aktiv ist, wenn bei Netzbetrieb eine Taste betätigt wird.
6. Drücken Sie **den Drehknopf für die Senderwahl**, um Ihre Auswahl zu bestätigen.

GARANTIE

Dieses Gerät kommt mit einer 2-jährigen eingeschränkten Garantie.

WARNUNG ! Die Garantie wird nichtig, falls die Abdeckung geöffnet und das Gerät modifiziert oder verändert wurde !

Die Garantie des Radios erstreckt sich nicht auf folgendes:

- Schäden aufgrund falscher Nutzung, Missbrauch, Fahrlässigkeit, Unfällen, Änderungen oder nicht genehmigter Reparaturen.
- Normale(r) Abnutzung und Verschleiß.
- Die Teleskopantenne wurde gebrochen oder geknickt.

SPEZIFIKATIONEN

Stromnetzanforderungen

Stromversorgung AC 230 V ~ 50 Hz

Frequenzbereich

DAB 174,928 – 239,200 MHz

UKW 87.5 – 108 MHz

Schaltkreismerkmale

Lautsprecher 1 x Ø4 Zoll

Ausgangsleistung 1 x 5W

Aux-Eingang Ø3,5 mm

Hinweis zum Umweltschutz:



Dieses Produkt wurde aus hochwertigen Teilen und Materialien, die wiederverwendet und recycelt werden können, hergestellt. Werfen Sie deshalb das Produkt am Ende seiner Lebensdauer nicht in den normalen Hausmüll. Bringen Sie es zu einer Sammelstelle zum Recycling von elektrischen und elektronischen Geräten. Dies wird durch dieses Symbol auf dem Produkt, in der Bedienungsanleitung und auf der Verpackung angegeben.

Bitte informieren Sie sich über Sammelstellen bei Ihren örtlichen Behörden. Schützen Sie die Umwelt durch das Recycling von Altgeräten.



Perfectpro B.V.
Everdenberg 9A
4902TT Oosterhout
The Netherlands
www.perfectpro.eu